

**INSTALLATION
INSTRUCTIONS**

Accessory

**DOOR VISOR
P/N 08R04-SDA-100**

Application

**2003 ACCORD
4-DOOR**

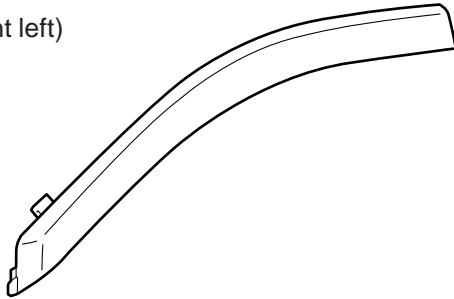
Publications No.

All 24045

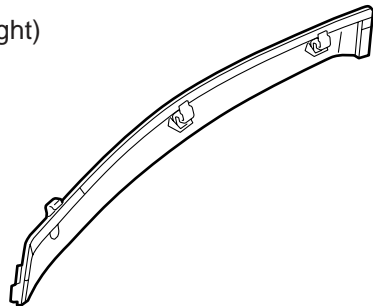
Issue Date

AUG 2002**PARTS LIST**

Door visor (Front left)



Door visor (Front right)

**SUPPLIES REQUIRED**

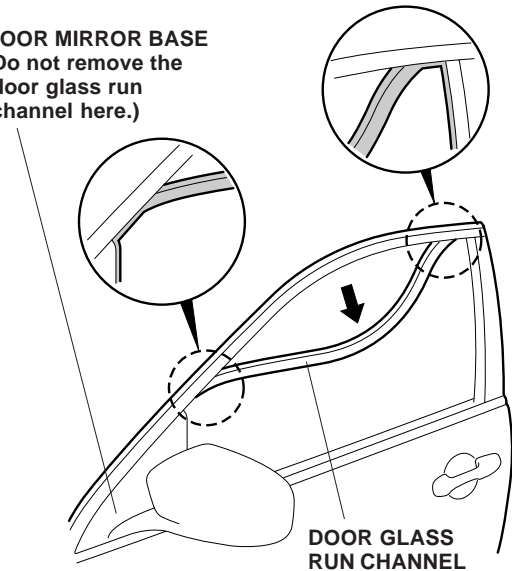
Isopropyl alcohol
Shop towel
Masking tape

INSTALLATION**NOTE:**

- These instructions show the left door visor being installed. The same procedure applies to installing the right door visor.
- Be careful not to damage the paint finish and glass run channels when installing the door visors.
- Handle the door visors with care. They are not designed to absorb shock or impact.
- This door visor kit should only be installed if the ambient air temperature is 60°F (15°C) or above.
- To allow the adhesive to “cure,” do not wash the car for 24 hours.

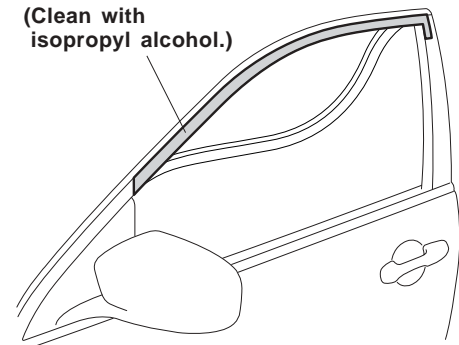
1. Lower the front door glass completely. Remove the door glass run channel from the door sash in the area shown. Do not remove the glass run channel from the door mirror base and the rear end of the door.

DOOR MIRROR BASE
(Do not remove the
door glass run
channel here.)



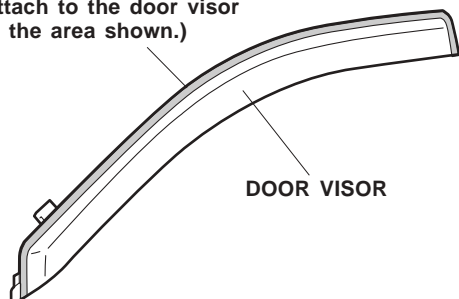
2. Using isopropyl alcohol on a shop towel, clean the shaded area of the door sash.

SHADED SURFACE
(Clean with
isopropyl alcohol.)



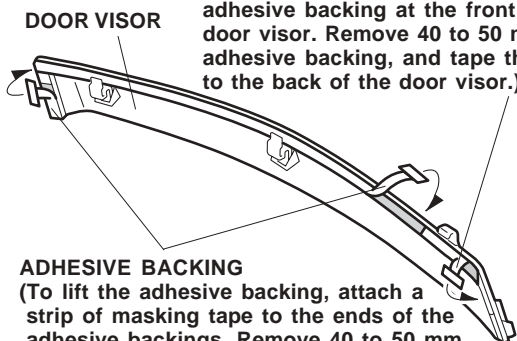
- Attach the masking tape to the door visor in the area shown.

MASKING TAPE
(Attach to the door visor in the area shown.)



- Attach a strip of masking tape to the end of the small piece of adhesive backing at the front of the door visor. Remove 40 to 50 mm of adhesive backing, and tape the end to the back of the door visor.

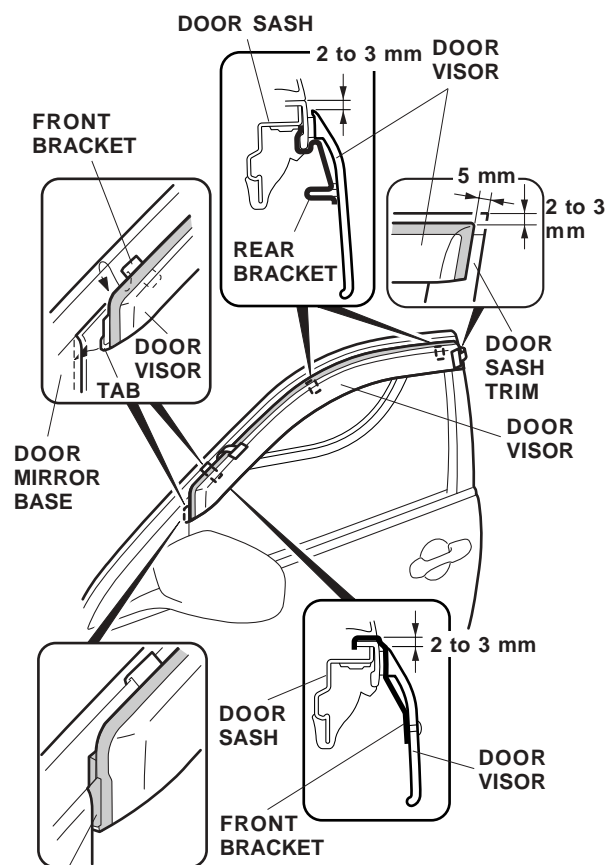
ADHESIVE BACKING
(Attach a strip of masking tape to the end of the small piece of adhesive backing at the front of the door visor. Remove 40 to 50 mm of adhesive backing, and tape the end to the back of the door visor.)



ADHESIVE BACKING
(To lift the adhesive backing, attach a strip of masking tape to the ends of the adhesive backings. Remove 40 to 50 mm of adhesive backing, and tape each end to the front of the door visor.)

- Attach a strip of the masking tape to the ends of the remaining adhesive backings, and remove 40 to 50 mm from the end. Fold back the ends, and tape the ends to the front of the door visor. Note the direction of the adhesive backings.

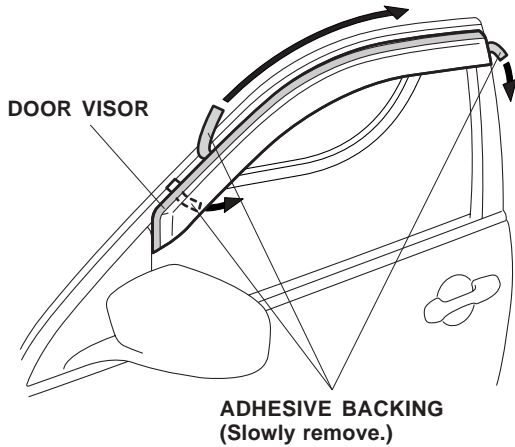
- Attach the front bracket of the door visor to the door sash, and push the two rear brackets on the door sash. Insert the front tab under the door mirror base. Position the door visor as shown.



EPT SEALER
There is no clearance between the EPT sealer and body at the front of the door visor.

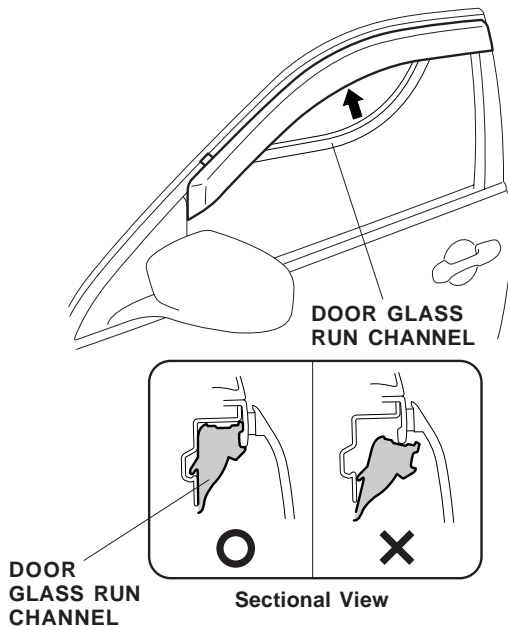
- Adjust the location of the door visor. The clearance between the door visor and door sash trim must be 5 mm at the rear of the door and there is an even 2 to 3 mm gap along the top edge of the door visor. There should be no clearance between the front tab and the door visor.
- Check that there is no clearance between the EPT sealer and body at the front of the door visor.

- While holding light pressure on the door visor, carefully remove the adhesive backings in the directions shown. Using the palm of your hand, hold the door visor firmly against the door for 30 seconds.



- Remove the masking tape from the door visor.
- Reinstall the door glass run channel.

NOTE: Make sure the run channel is seated properly.



- Repeat steps 1 thru 11 to install the right side door visor.
- Raise and lower all the windows several times to seat the glass run channels.

USE AND CARE

- To clean the door visor, wipe it with a soft cloth dampened with clean water.
- To remove dust and dirt, clean with a solution of liquid dishwashing soap and water using a soft cloth or chamois. Never use organic solvents such as thinner, benzene, alcohol, or cleaners containing compounds.