

# HONDA

## INSTALLATION INSTRUCTIONS

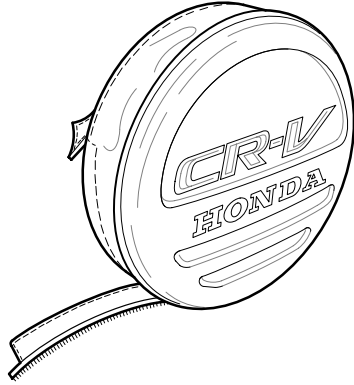
Accessory  
SPARE TIRE COVER  
P/N 08U02-S10-100F

Application  
2001 CR-V

Publications No.  
All 21703  
Issue Date  
OCT 2000

### PARTS LIST

Spare tire cover

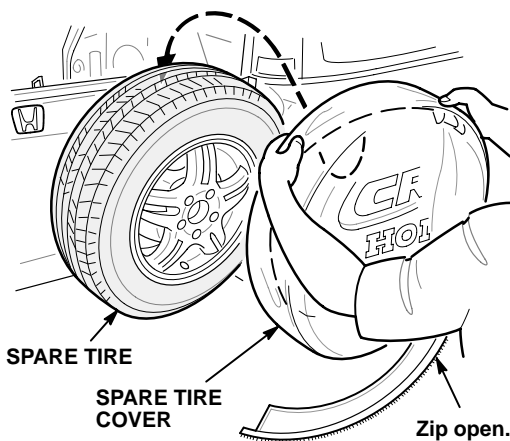


### INSTALLATION

#### NOTE:

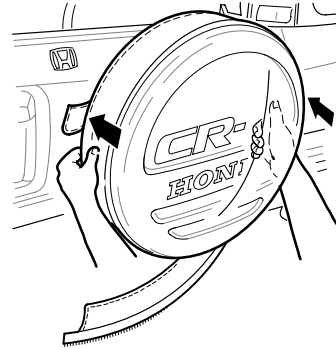
- The optional spare tire cover is designed to be used only with standard tires.
- Never install the spare tire cover on a flat tire.

1. If necessary, remove the standard spare tire cover and set it aside; it will not be reused.
2. Check that the tire is of the designated size and is inflated to the specified air pressure.
3. Open the rear gate.
4. Zip open the new spare tire cover.

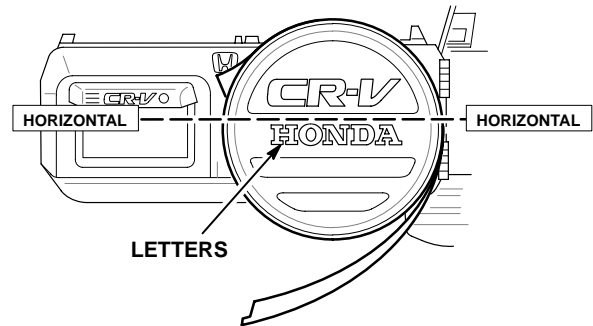


5. Fit the pocket of the tire cover over the top of the spare tire.

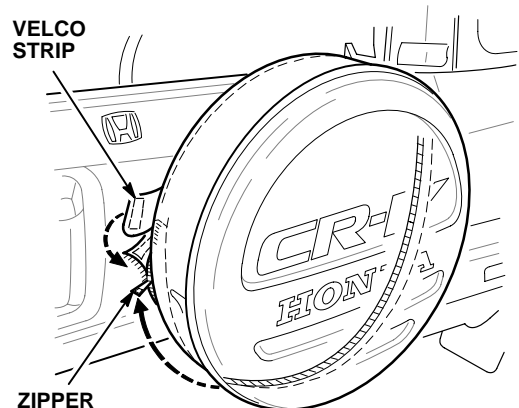
6. Pull on each side to stretch the spare tire cover over the spare.



7. Adjust the location of the cover so that the lettering is horizontal.



8. Zip the cover closed, and attach the Velcro strip.



9. Put a copy of these instructions in the glove box for future reference.

### CLEANING THE SPARE TIRE COVER

Use a sponge or soft cloth and a solution of mild liquid dishwashing soap and water to clean the spare tire cover.