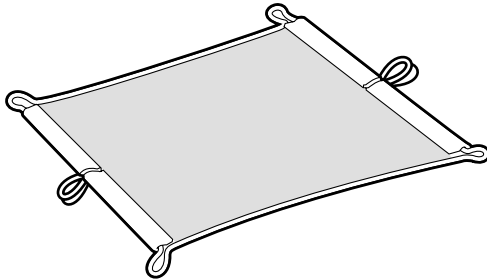
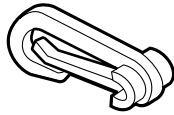


**INSTALLATION  
INSTRUCTIONS**Accessory  
**CARGO NET**  
P/N 08196-S9A-100Application  
**2003 CR-V**Publications No.  
**All 24645**  
Issue Date  
**OCT 2002****Keep this information in the glove box for future reference.****PARTS LIST**

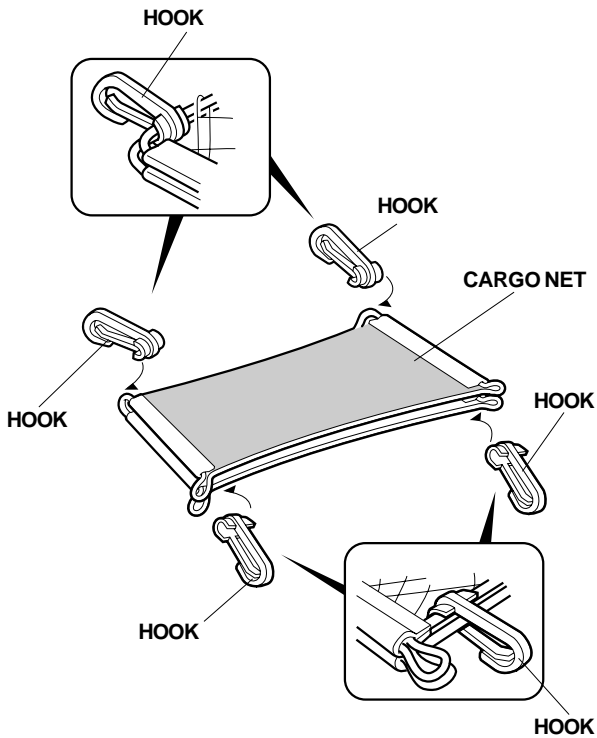
Cargo net



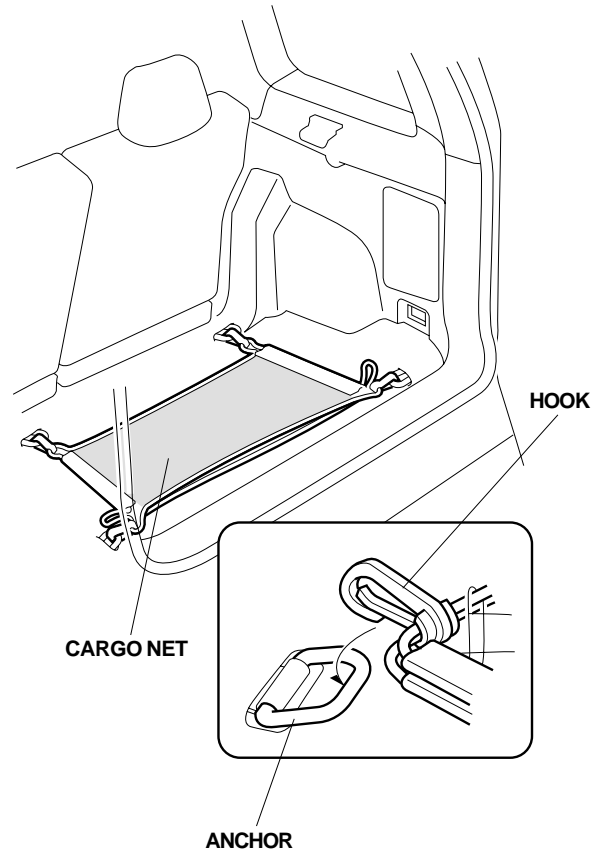
4 Hooks

**INSTALLATION**

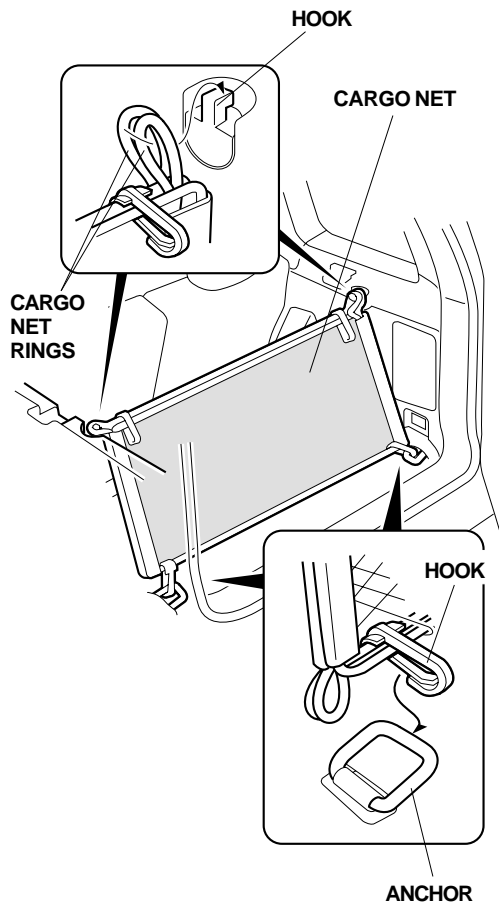
1. Attach the four hooks onto the cargo net as shown.



2. Attach the hooks to the anchors in the trunk.
  - The cargo net can be installed in 2 different positions.

**Horizontal Position:**

**Vertical Position:**



**NOTE**

- Do not allow the weight of cargo to exceed 10 kg (22 lb).
- Do not store large or fragile objects in the net.
- Do not store objects with sharp edges or corners, as they may damage the cargo net or the vehicle. Wrap such objects in paper or a blanket so they will not contact the net directly.