



INSTALLATION INSTRUCTIONS

Accessory
CARGO NET
P/N 08L96-S9A-100

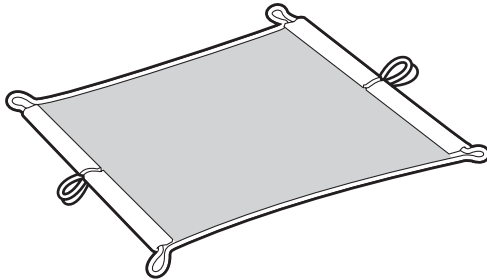
Application
2004 CR-V

Publications No.
All 26117
Issue Date
SEP 2003

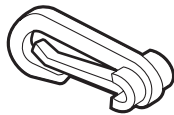
Keep this information in the glove box for future reference.

PARTS LIST

Cargo net

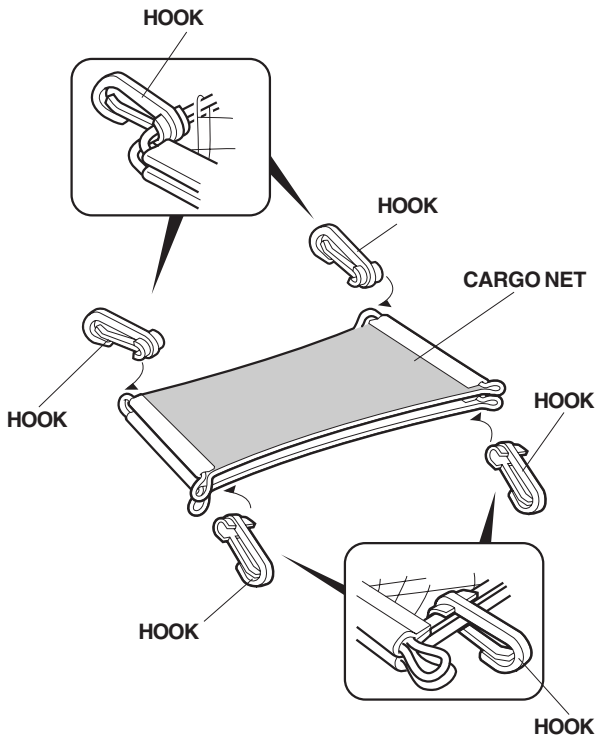


4 Hooks



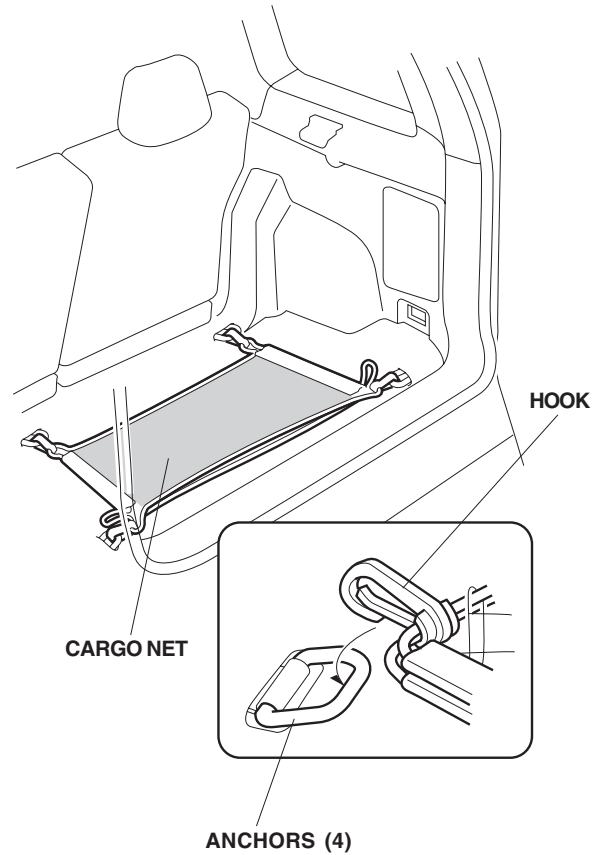
INSTALLATION

1. Attach the four hooks onto the cargo net as shown.

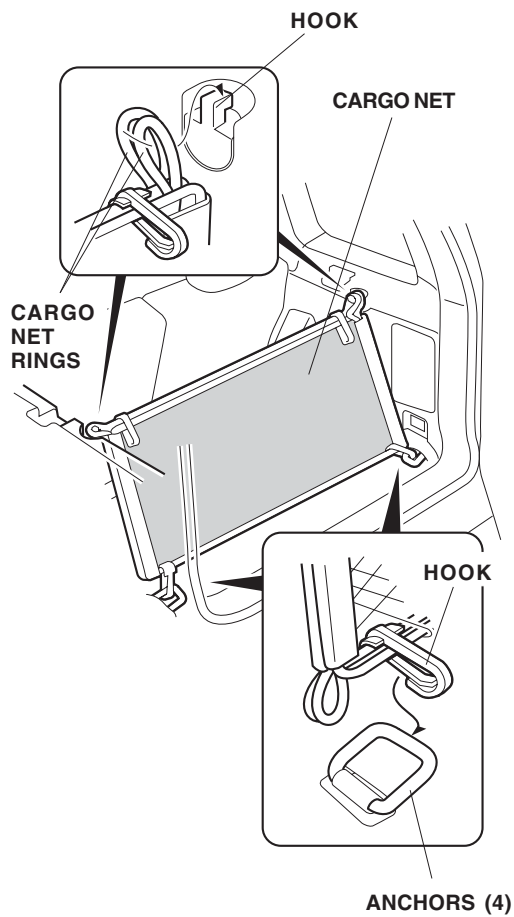


2. Attach the hooks to the anchors in the trunk.
 - The cargo net can be installed in 2 different positions.

Horizontal Position:



Vertical Position:



NOTE

- Do not allow the cargo weight to exceed 22 lb (10 kg).
- Do not store large or fragile objects in the net.
- Do not store objects with sharp edges or corners, as they may damage the cargo net or the vehicle. Wrap such objects in paper or a blanket so they will not contact the net directly.