



INSTALLATION INSTRUCTIONS

Accessory

FLOOR MATS
(ALL SEASON)
08P13-SCV-100

Application

2004 ELEMENT (EX)

Publications No.

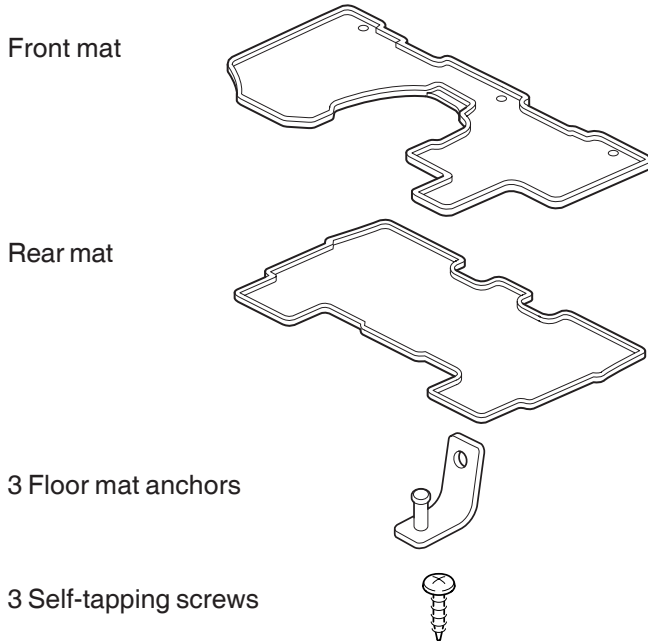
All 26563

Issue Date

DEC 2003

Keep this information in the glove box for future reference.

PARTS LIST



TOOLS REQUIRED

- Phillips screwdriver
- Utility knife
- Tape measure

INSTALLATION

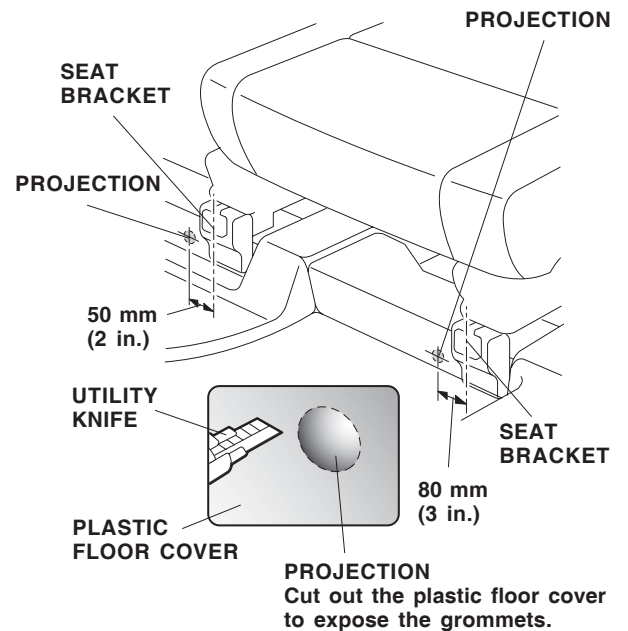
NOTE:

- A floor mat anchor prevents the front floor mat from sliding forward and possibly interfering with the pedals.
- If you remove the front floor mat, make sure you re-anchor it when you put it back in your vehicle.
- If you replace the floor mat, use factory floor mats designed to be used with the floor mat anchor.
- If you use a non-factory floor mat in the driver's foot well, make sure it fits properly and that it can be used with the floor mat anchors.
- Do not put additional floor mats on top of the anchored mat, otherwise the additional mats may slide forward and possibly interfere with the pedals.

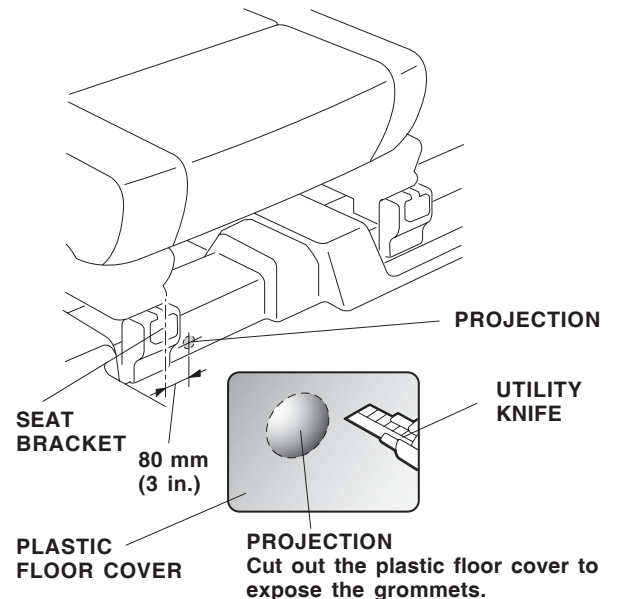
Installing the Anchors

- In front of the driver's and passenger's seats locate the projections on the plastic floor cover. Using a utility knife cut out the projections to expose the plastic grommets.

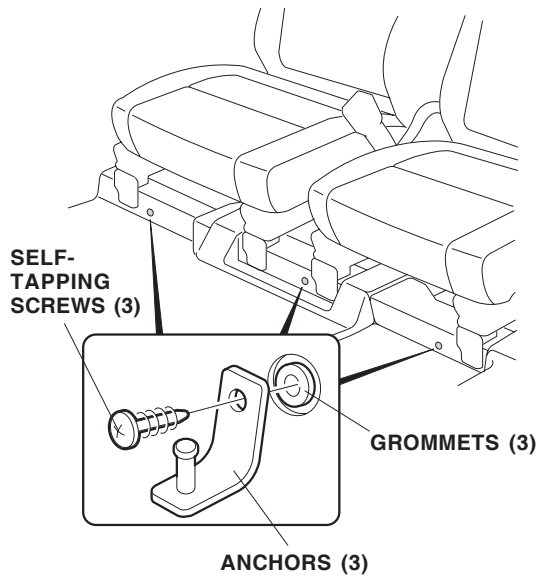
Driver's Seat:



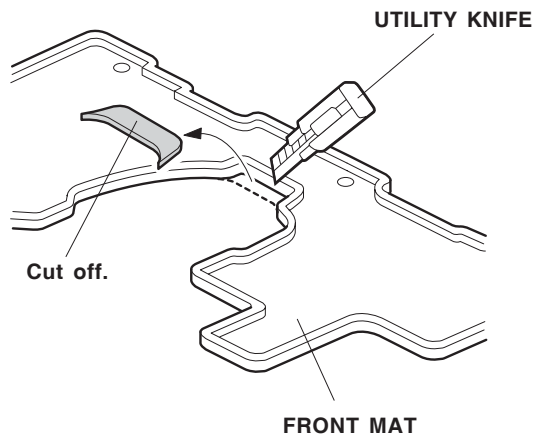
Passenger's Seat:



2. Install an anchor to each of the three grommets using one self-tapping screw for each anchor.

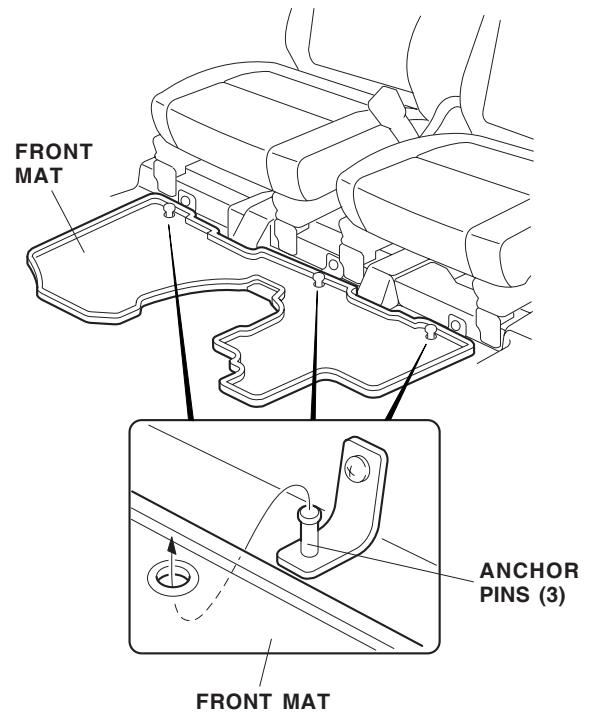


3. On EX model vehicle, use a utility knife to cut out the center of the front floor mat to fit around the subwoofer.



Installing the Floor Mats

4. Install the front floor mat by inserting the three floor mat rings over the three anchor pins.



5. Install the rear mat.

