



# INSTALLATION INSTRUCTIONS

Accessory

**ALL-SEASON FRONT SEAT COVER**  
P/N 08P33-SCV-100

Application

**2004 ELEMENT (WITHOUT SIDE AIRBAG)**

Publications No.

**All 26580**

Issue Date

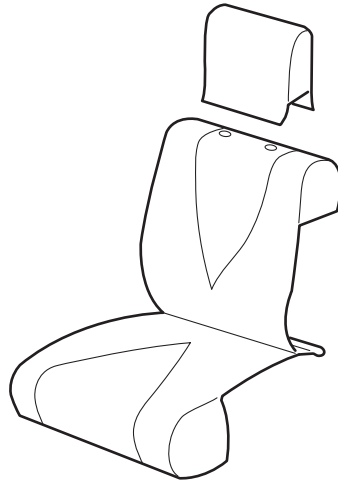
**DEC 2003**

**Keep this information in the glove box for future reference.**

## PARTS LIST

Headrest cover

Seat cover



## INSTALLATION

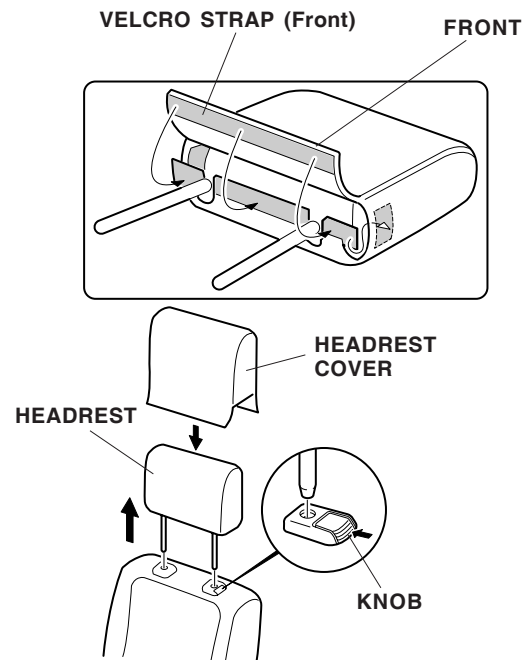
### NOTE:

- Take care not to damage the seat when installing the neoprene seat cover.
- These instructions show the seat and headrest cover being installed on the left front seat. The same procedure applies to installing the seat and headrest cover on the right front seat.
- Never install the neoprene seat covers on seats equipped with side airbags. Failure to follow this precaution can reduce the effectiveness of the side airbag, resulting in serious injury or even death in the event of collision.

## Installing the Headrest Cover

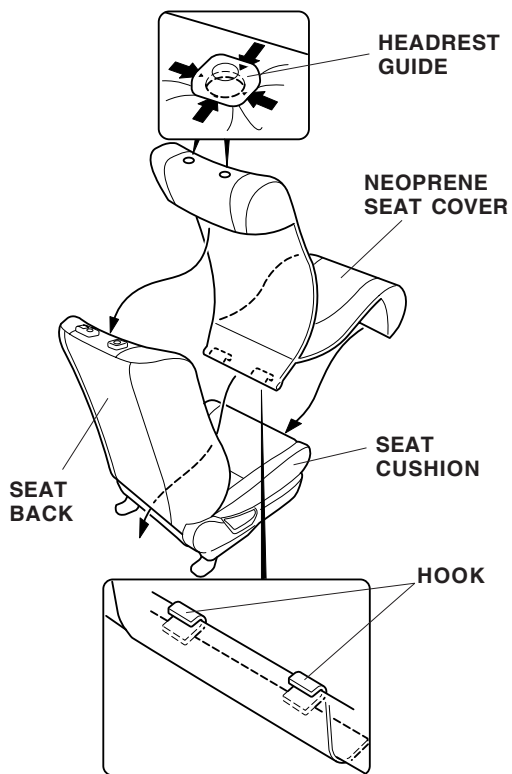
1. While pressing in on the knob, remove the headrest from the seat-back.
2. Fit the headrest cover over the headrest, then secure it with the Velcro strips shown.

**NOTE:** The notched flap goes to the rear of the head rest.



## Installing the Front Seat Covers

1. Install the front seat cover over the seat, fitting the corners of the seat cover around the seat. Smooth out any wrinkles.
2. Pull the bottom flap of the seat cover between the seat back and seat cushion, then attach the two hooks to the bottom edge of the seat cushion.
3. Tuck the edges of the seat cover into the headrest guides as shown.
4. Reinstall the headrest.



## USE AND CARE

**NOTE:** Do not wash the seat cover in a washing machine. Rinse the seat cover with clean water and let it air-dry completely before you reinstall it.