



INSTALLATION INSTRUCTIONS

Accessory

FLOOR MATS
(CARPET)
08P15-SCV-100A

Application

2004 ELEMENT (DX)

Publications No.

All 26564

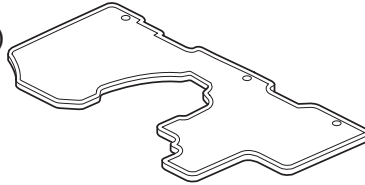
Issue Date

DEC 2003

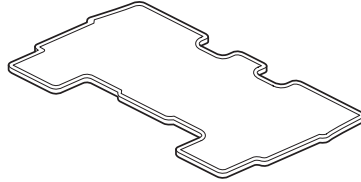
Keep this information in the glove box for future reference.

PARTS LIST

Front mat (driver's side)



Rear mat



3 Floor mat anchors



3 Self-tapping screws



TOOLS REQUIRED

Phillips screwdriver

Utility knife

Tape measure

INSTALLATION

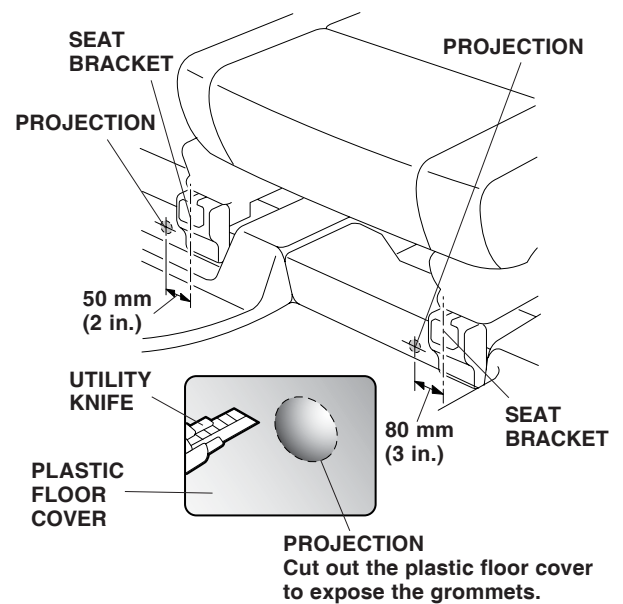
NOTE:

- A floor mat anchor prevents the front floor mat from sliding forward and possibly interfering with the pedals.
- If you remove the front floor mat, make sure you re-anchor it when you put it back in your vehicle.
- If you replace the floor mat, use factory floor mats designed to be used with the floor mat anchor.
- If you use a non-factory floor mat in the driver's foot well, make sure it fits properly and that it can be used with the floor mat anchor.
- Do not put additional floor mats on top of the anchored mat, otherwise the additional mats may slide forward and possibly interfere with the pedals.

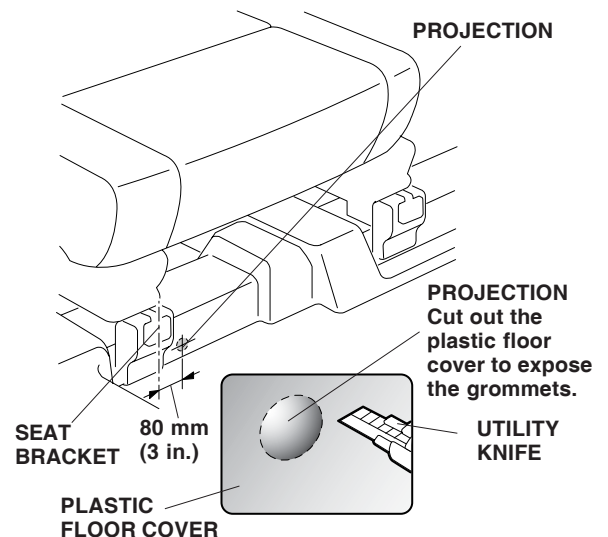
Installing the Anchors

1. In front of the driver's and passenger's seats, locate the projections on the plastic floor cover. Using a utility knife cut out the projections to expose the plastic grommets.

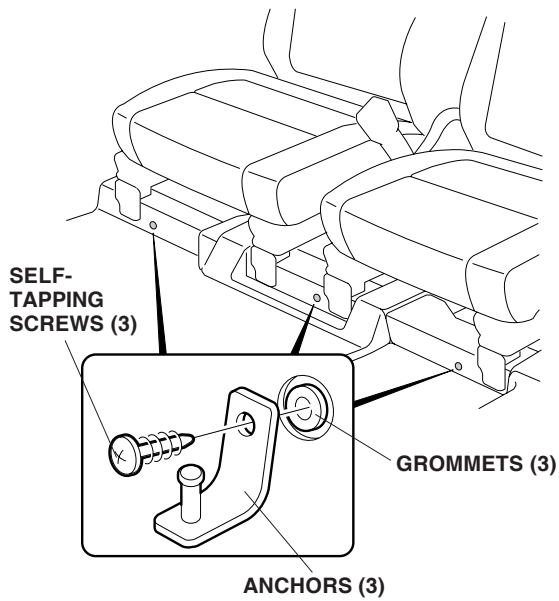
Driver's Seat



Passenger's Seat

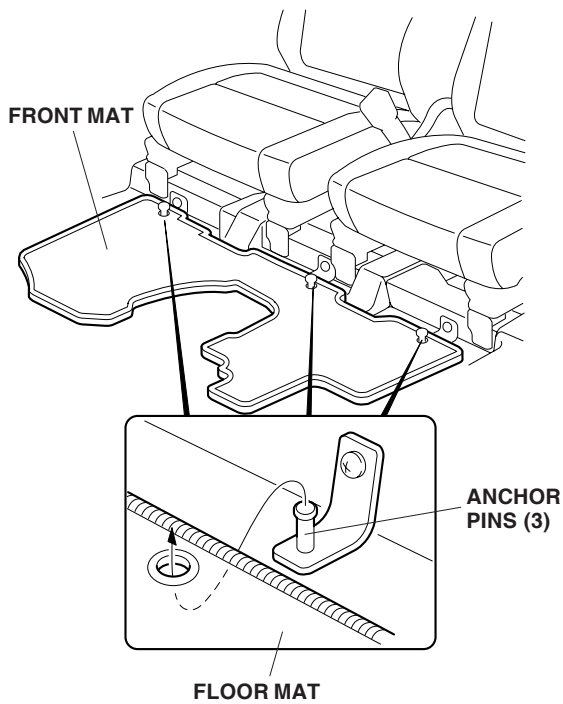


2. Install an anchor to each of the three grommets using one self-tapping screw for each anchor.



Installing the Floor Mat

3. Install the front floor mat by inserting the three floor mat rings over the three anchor pins.



4. Install the rear mat.

