

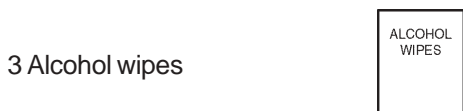
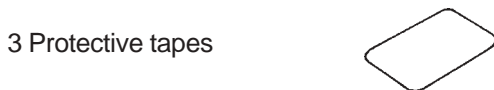
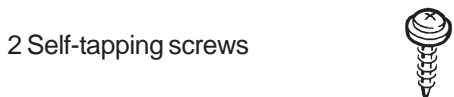
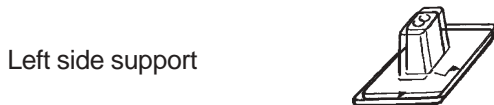
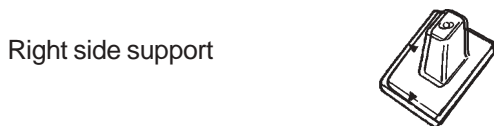
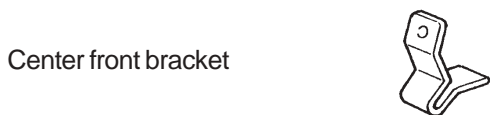
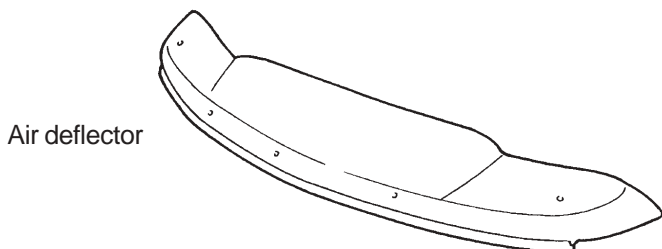


# INSTALLATION INSTRUCTIONS

Accessory	Application	Publications No.
AIR DEFLECTOR P/N 08P47-S0X-100	2003 ODYSSEY	All 24108-24708
		Issue Date OCT 2002

Revised October 25, 2002

## PARTS LIST



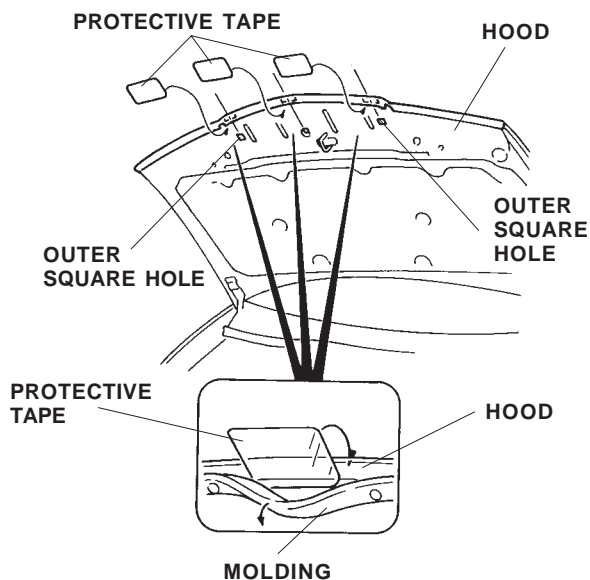
## TOOLS AND SUPPLIES REQUIRED

- Phillips screwdriver
- Tape measure
- Felt-tip pen
- Shop towel
- Isopropyl alcohol

## INSTALLATION

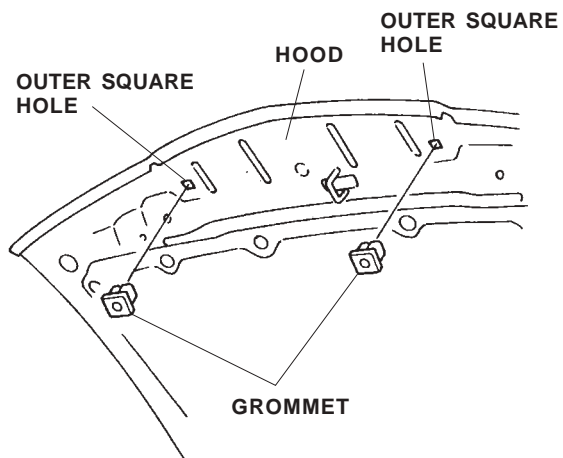
NOTE: Be careful not to damage the body finish when you install the air deflector.

1. Open the hood. Locate the two outer square holes on the inside of the hood.
2. Pull down on the rubber molding from the inside edge of the hood in the three areas where the brackets will attach. Using an alcohol wipe supplied, thoroughly clean the front edge of the hood and clean the top and bottom of the hood where the protective tapes will attach.

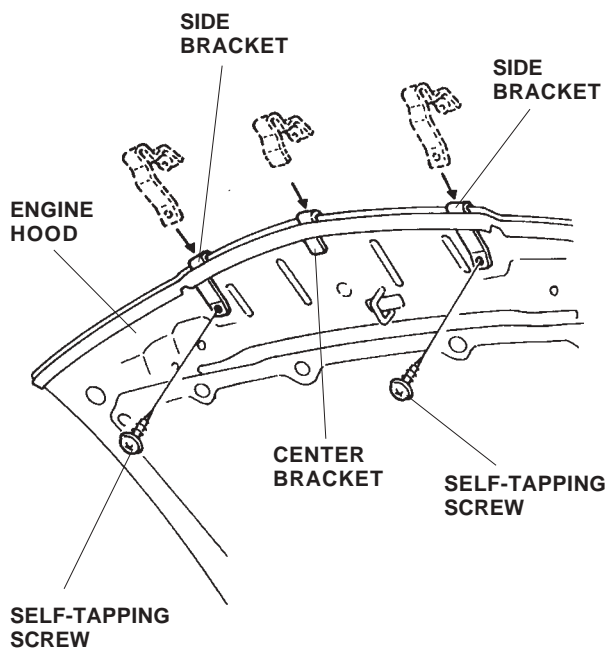


3. Wrap one protective tape around each of the three exposed areas at the edges of the hood.

4. Push a plastic grommet into each of the two outer square holes in the hood.

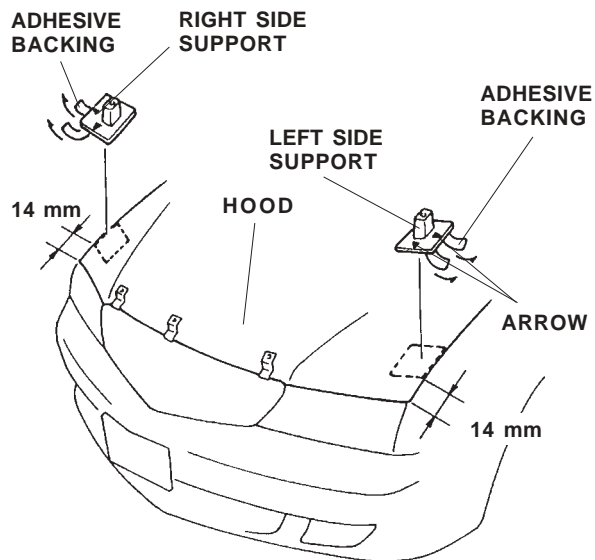


5. Slide the two side brackets over the lip of the hood, and align their holes with the holes in the plastic grommets you just installed. Install a self-tapping screw through each bracket.

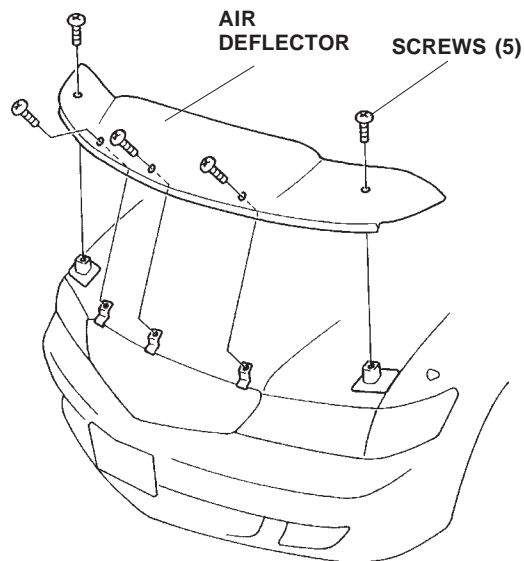


6. Slide the center bracket over the lip of the hood where the protective tape was attached.

7. Close the hood, and locate the areas where the side supports will attach. Using an alcohol pad, clean the hood where the side supports will attach.



8. Position the side supports with one arrow pointing forward and one arrow pointing to the outboard edge of the hood. Remove the adhesive backings and install the side supports 14 mm from the front edge of the hood as shown.
9. Position the air deflector on the hood, align its holes with the holes in the brackets and supports, and install the five screws. Tighten the screws securely.



**NOTE:**

- After the air deflector is installed, tell your customer not to wash the vehicle for 24 hours to give the protective tapes time to cure.
- Do not hold onto the air deflector to open or close the hood.