



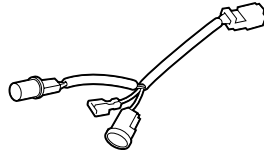
INSTALLATION INSTRUCTIONS

Accessory	Application	Publications No.
CIGARETTE LIGHTER AND ASHTRAY	2004 PILOT	All 25846
		Issue Date
		AUG 2003

PARTS LIST

Cigarette Lighter (sold separately):
P/N 08U25-S9V-100B
(For Model EX-RES/EX-NAVI)

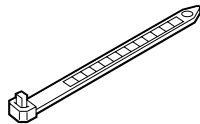
Lighter harness



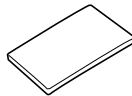
Cigarette lighter



Wire tie

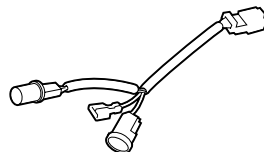


3 Cushion tapes

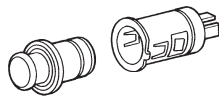


Cigarette Lighter (sold separately):
P/N 08U25-S9V-100C
(For Model LX/EX/EX-L)

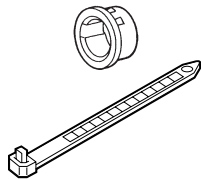
Lighter harness



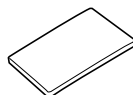
Cigarette lighter and ring



Wire tie

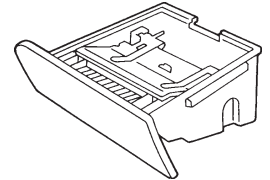


3 Cushion tapes



Ashtray (sold separately):
P/N 08U25-S9V-110

Ashtray
 (This type of ashtray cannot be installed on a vehicle equipped with both a navigation system and a seat heater.)

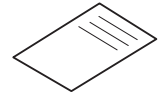


Ashtray (sold separately):
P/N 08U25-S3Y-102

Ashtray



Owner's Manual



TOOLS AND SUPPLIES REQUIRED

- #2 Phillips screwdriver
- Flat-tip screwdriver
- Stubby Phillips screwdriver
- Electrical tape
- Utility knife
- Isopropyl alcohol

INSTALLATION

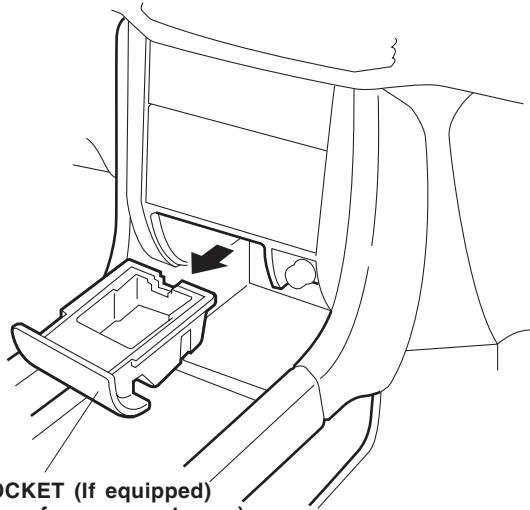
Customer Information: The information in this installation instruction is intended for use only by skilled technicians who have the proper tools, equipment, and training to correctly and safely add equipment to your vehicle. These procedures should not be attempted by "do-it-yourselfers."

NOTE: These instructions are for three different models. Know which vehicle you are working on, and follow the correct installation procedure:

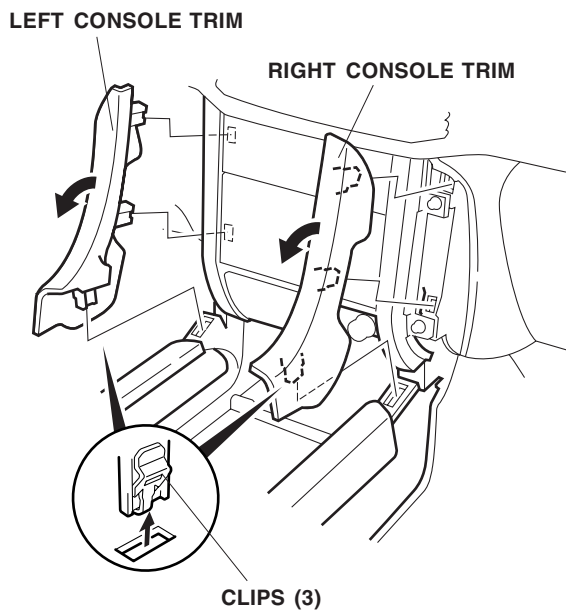
- EX With Navi or RES (page 2)
- LX/EX/EX-L Without Navi or RES (page 6)
- If you're only installing an ashtray, go to "Installing the Ashtray" on page 8.

EX-RES/EX-NAVI Models

1. Make sure you have the anti-theft code for the radio, then write down the frequencies for the preset buttons.
2. Disconnect the negative cable from the battery.
3. If equipped, remove the pocket. Save the pocket for your customer.

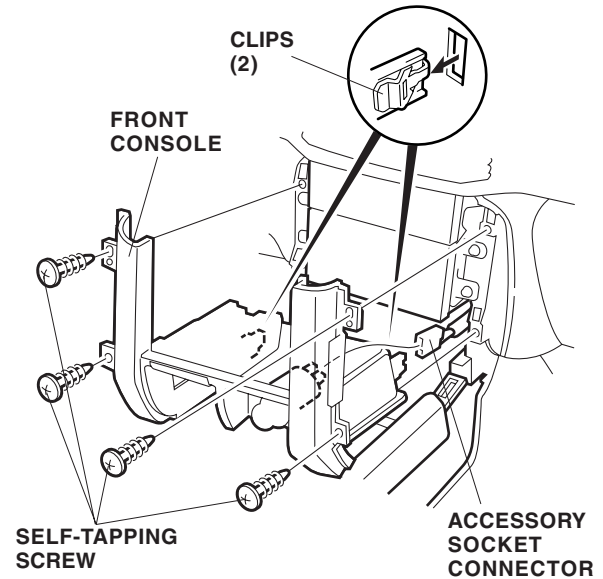


4. Pull the upper ends of the right console trim out toward you to release the two upper clips first, then the bottom clip. Remove the left console trim the same way.

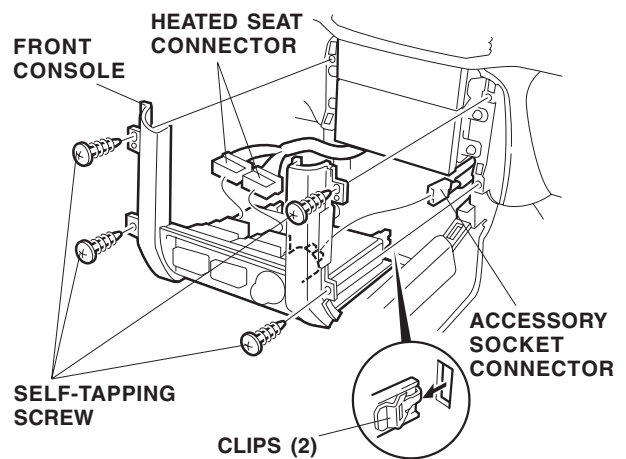


5. Remove the four self-tapping screws that secure the front console.
6. Pull out on the front console to release the two clips, unplug the accessory socket connector and the seat heater connectors (if equipped), and remove the front console.

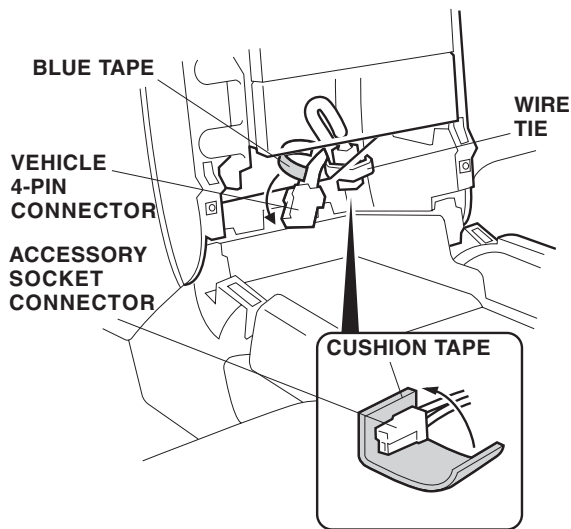
EX With RES:



EX With NAVI:

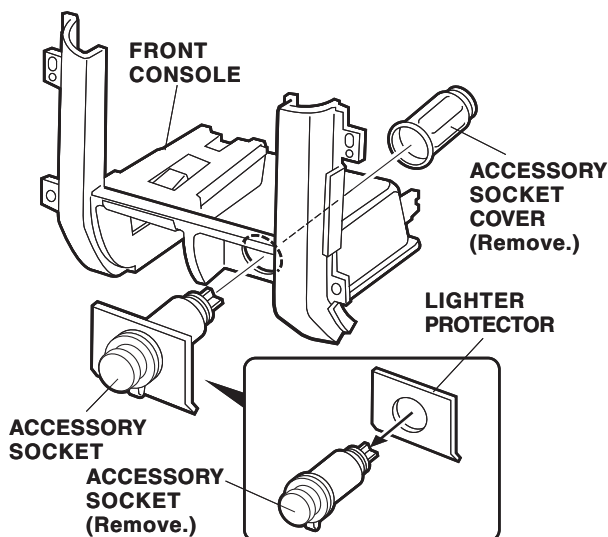


7. Locate the 4-pin connector blue-taped to the vehicle harness, and remove the tape to free the connector.

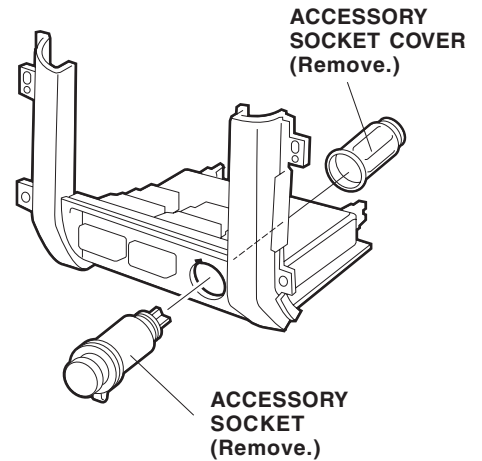


8. Wrap one cushion tape around the accessory socket connector, and secure it to the vehicle harness with one wire tie.
9. Remove the accessory socket cover from the accessory socket by turning it counterclockwise, and remove it from the front console.

EX With RES: Remove the accessory socket from the lighter protector.

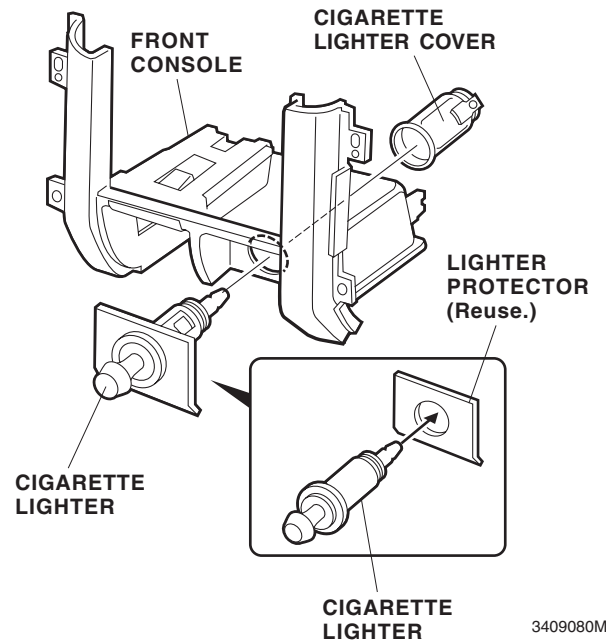


EX With NAVI:



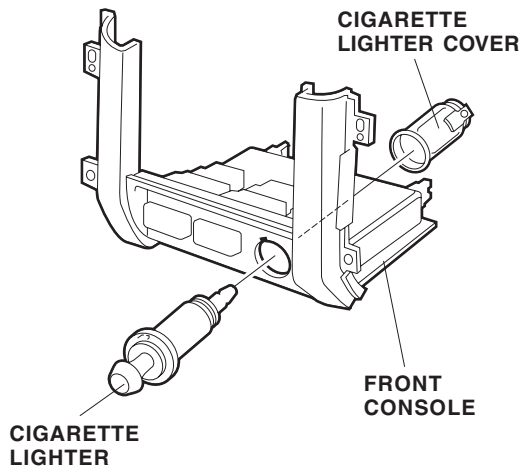
10. Separate the lighter cover from the cigarette lighter, then install the cigarette lighter and lighter cover onto the front console.

EX With RES: Install the lighter protector on the cigarette lighter.



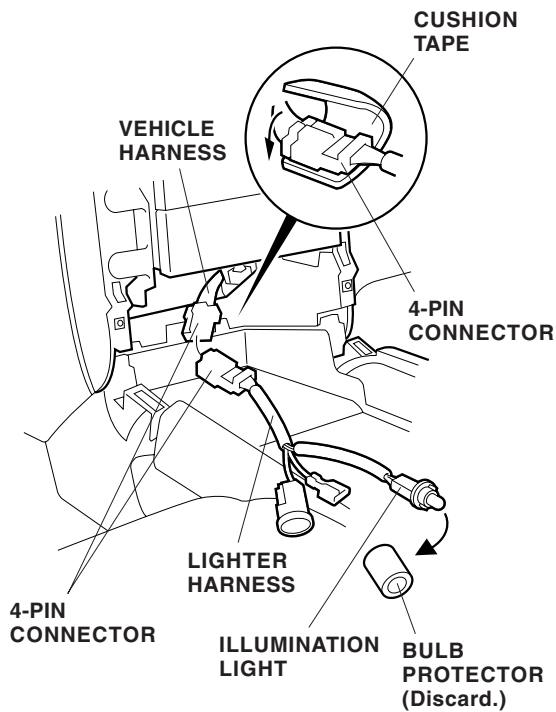
3409080M

EX With NAVI:

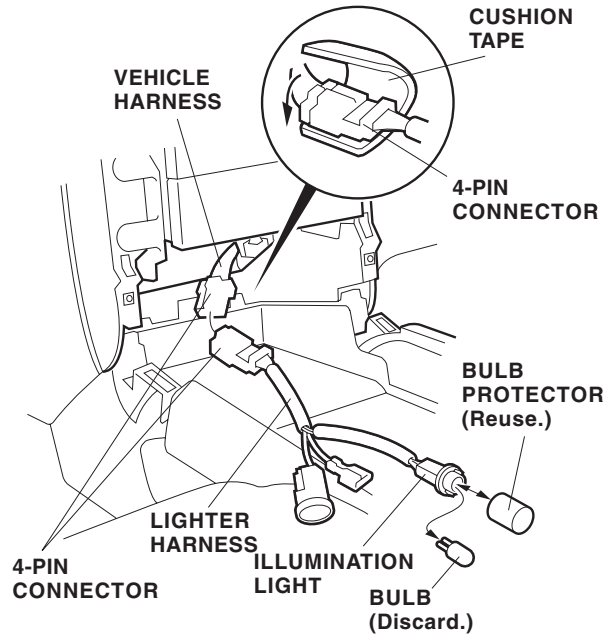


11. Get the lighter harness. Plug the lighter harness 4-pin connector into the vehicle harness 4-pin connector, and wrap one cushion tape around the connectors. Remove the bulb protector from the illumination light on the lighter harness.

EX With RES: Remove and discard the bulb protector.

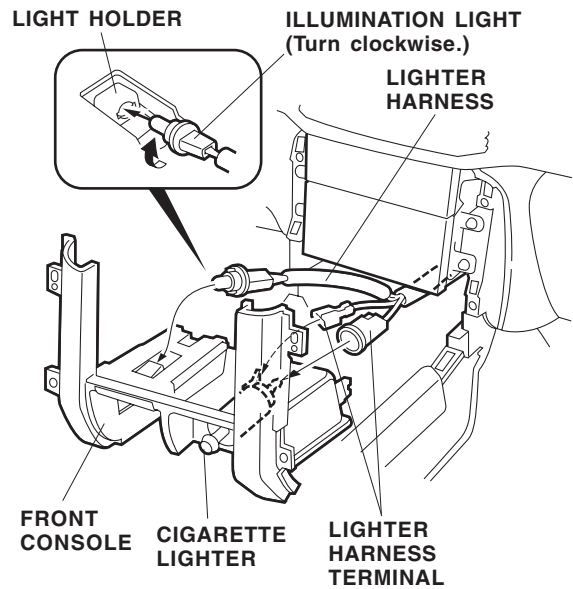


EX With NAVI: Remove and discard the bulb, then reinstall the bulb protector.

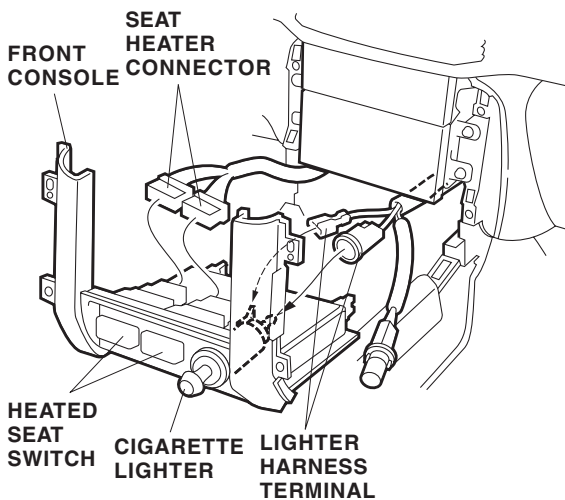


12. Connect the lighter harness terminals into the cigarette lighter.

EX With RES: Install the illumination light into the light holder on the front console.

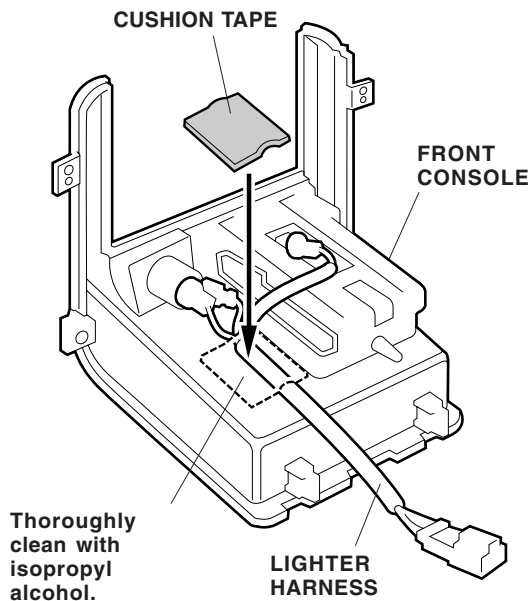


EX With NAVI: Plug in the seat heater connectors.

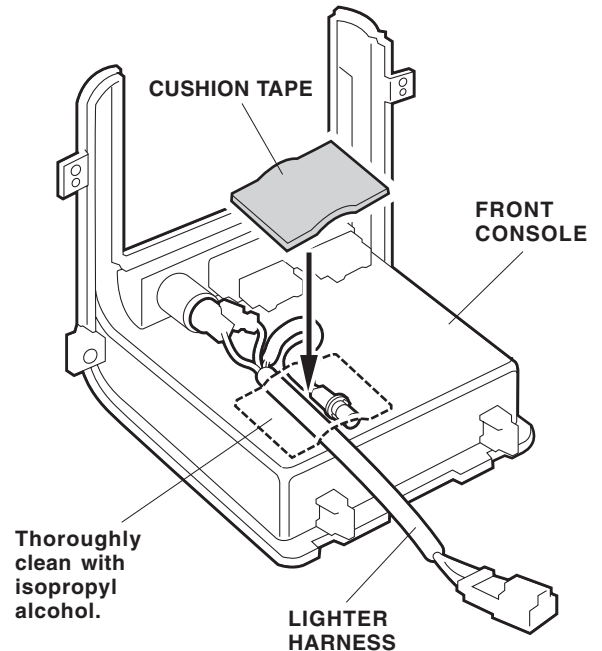


- Clean the area with isopropyl alcohol, and secure the lighter harness to the front console with one cushion tape in the area shown.

EX With RES:



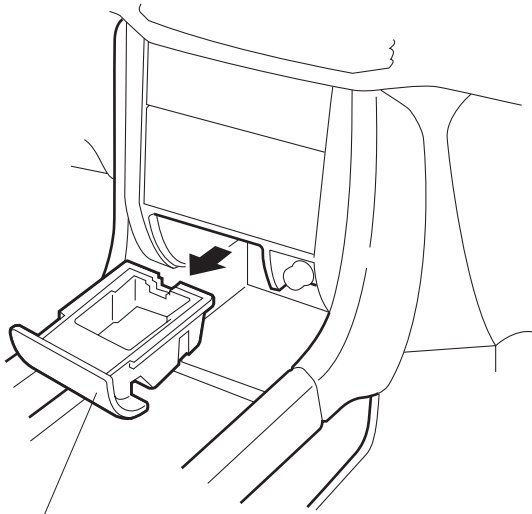
EX With NAVI:



- Reinstall the front console.
 - Reinstall the console trim pieces.
 - Reconnect the negative cable to the battery.
 - Check that the cigarette lighter heats properly when pressed in.
 - Enter the customer's radio anti-theft code, and reset the radio station preset buttons.
 - Set the clock.
 - On RES Model:** Install the ashtray (P/N 08U25-S9V-110). Open and close the ashtray several times to make sure it works properly.
 - On Navi Model:** Install the ashtray (P/N 08U25-S3Y-102), which is sold separately, according to the Owner's Manual furnished with the ashtray.
 - If equipped, give the pocket to your customer.
- NOTE: Whenever the battery is disconnected, the driver's window AUTO function is disabled.
- Start the engine. Push down on the driver's window switch until the window is fully open.
 - Pull up on the driver's window switch to close the window completely, then hold the switch for 2 seconds.
 - Lower and raise the window to check operation of the driver's window AUTO function.

LX/EX/EX-L Models

1. Make sure you have the anti-theft code for the radio, then write down the frequencies for the preset buttons.
2. Disconnect the negative cable from the battery.
3. If equipped, remove the pocket. Save the pocket for your customer.

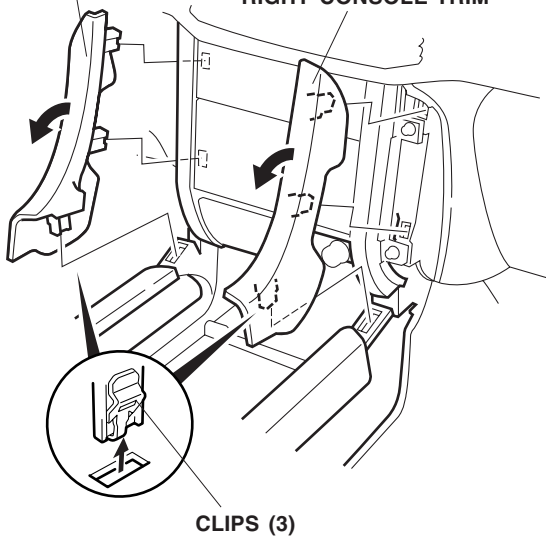


POCKET (If equipped)
(Save for your customer.)

4. Pull the upper ends of the right console trim out toward you to release the two upper clips first, then the bottom clip. Remove the left console trim the same way.

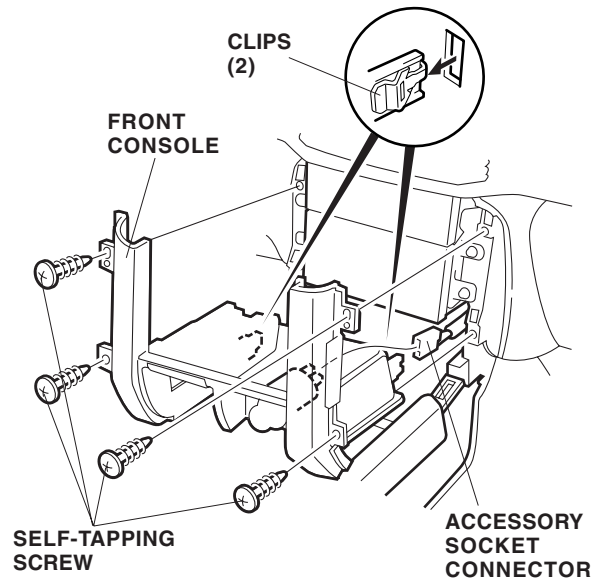
LEFT CONSOLE TRIM

RIGHT CONSOLE TRIM

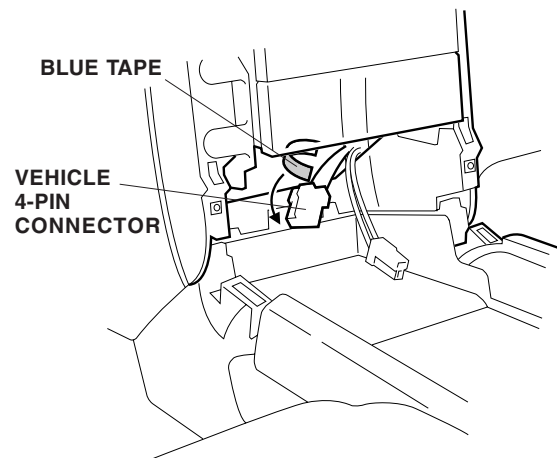


CLIPS (3)

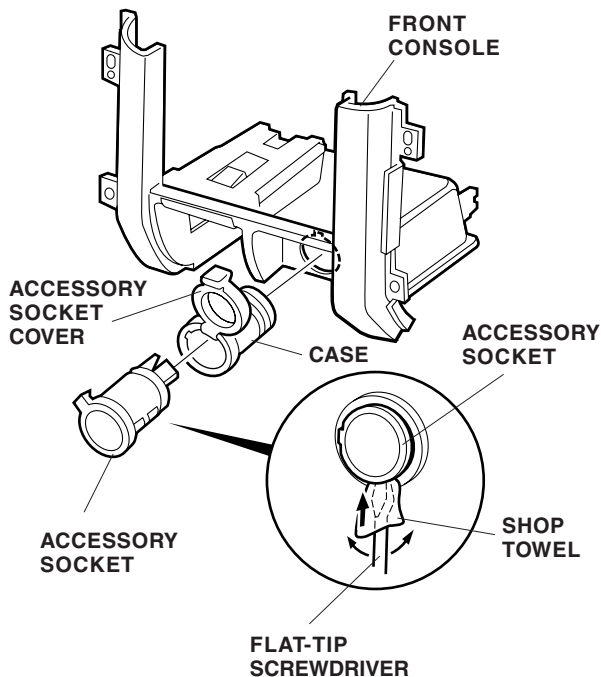
5. Remove the four self-tapping screws that secure the front console.



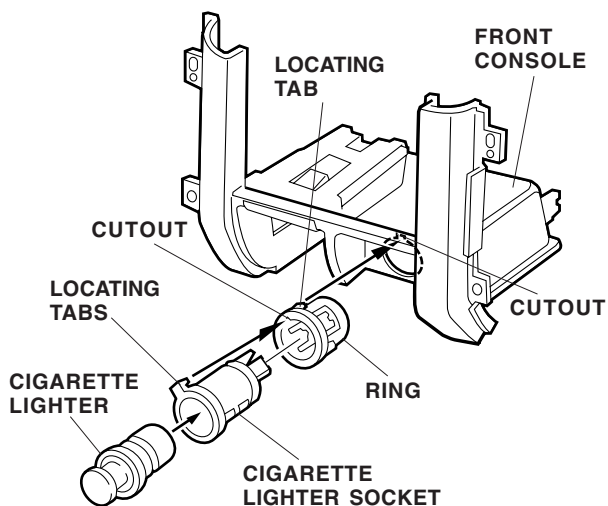
6. Pull out on the front console to release the two clips, unplug the accessory socket connector, and remove the front console.
7. Locate the 4-pin connector blue-taped to the vehicle harness, and remove the tape to free the connector.



- Open the accessory socket cover. Using a flat-tip screwdriver wrapped with a shop towel, pry the socket from the case.

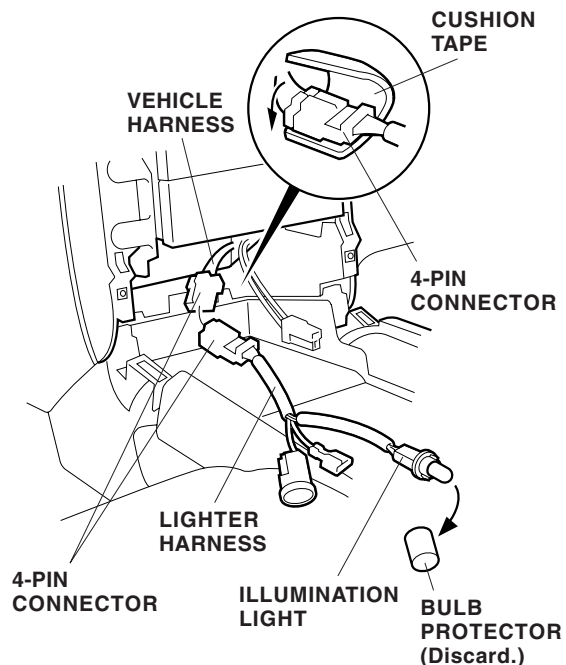


- Using a flat-tip screwdriver, remove the case from the front console.
- Align the locating tab on the cigarette lighter socket with the cutout on the ring, then install the lighter socket and ring into the hole in the front console by aligning the locating tab with the cutout in the front console.

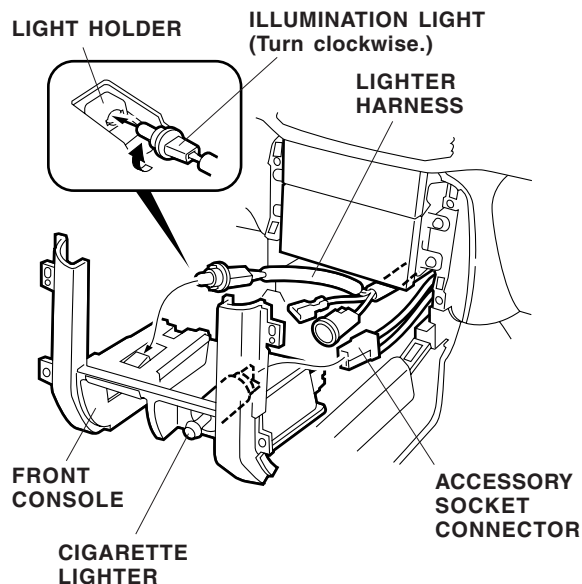


- Install the cigarette lighter into the cigarette lighter socket.

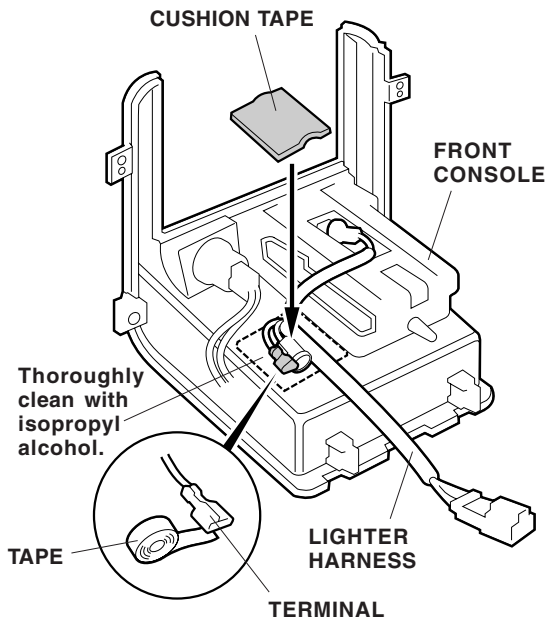
- Get the lighter harness. Plug the lighter harness 4-pin connector into the vehicle harness 4-pin connector, and wrap one cushion tape around the connectors.



- Remove and discard the bulb protector from the illumination light on the lighter harness.
- Connect the accessory socket connector into the cigarette lighter. Push the lighter harness illumination light into the light holder on the front console.



15. Wrap electrical tape around the terminal of the lighter harness, clean the area with isopropyl alcohol, and secure the lighter harness to the front console with one cushion tape in the area shown.



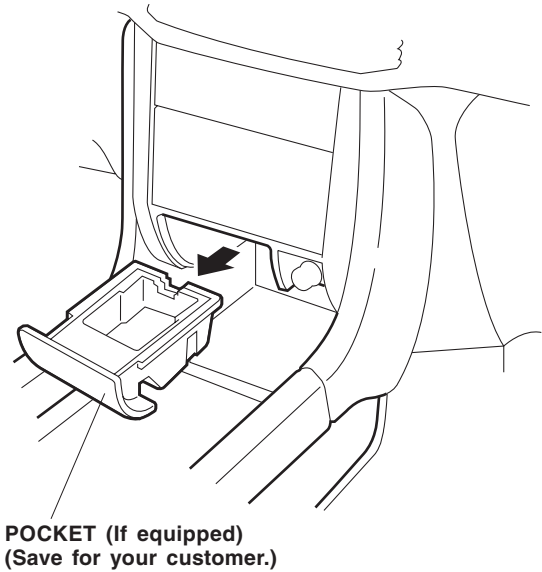
16. Reinstall the front console.
17. Reinstall the console trim pieces.
18. Reconnect the negative cable to the battery.
19. Check that the cigarette lighter heats properly when pressed in.
20. Enter the customer's radio anti-theft code, and reset the radio station preset buttons.
21. Set the clock.
22. Install the ashtray (P/N 08U25-S9V-110). Open and close the ashtray several times to make sure it works properly.
23. If equipped, give the pocket to your customer.

NOTE: Whenever the battery is disconnected, the driver's window AUTO function is disabled.

24. Start the engine. Push down on the driver's window switch until the window is fully open.
25. Pull up on the driver's window switch to close the window completely, then hold the switch for 2 seconds.
26. Lower and raise the window to check operation of the driver's window AUTO function.

Installing the Ashtray

1. Remove the pocket. Save the pocket for your customer.



2. Install the ashtray. Open and close the ashtray several times to make sure it works properly.

