



INSTALLATION INSTRUCTIONS

Accessory

LUGGAGE NET
P/N 08L96-S6M-200

Application

2004 RSX

Publications No.

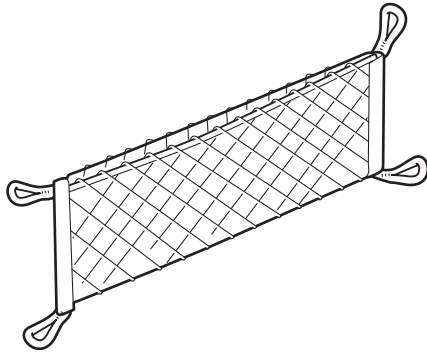
BII 26205

Issue Date

SEP 2003

PARTS LIST

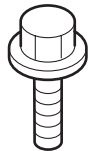
Luggage net



2 Hooks



2 Bolts



2 Nuts



TOOLS REQUIRED

10 mm Combination wrench

Phillips screwdriver

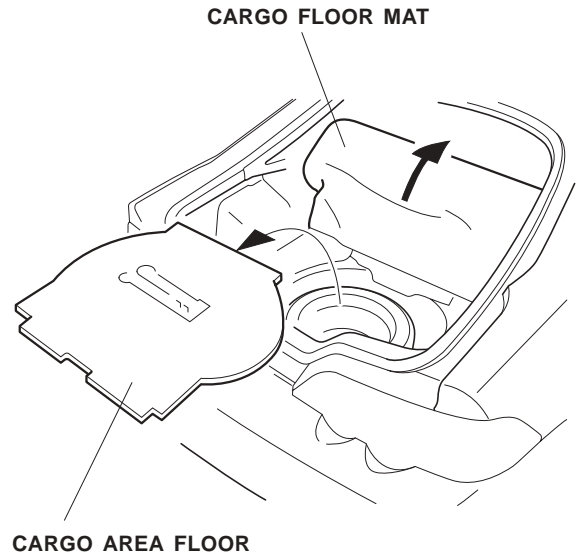
Clip remover

Flat-tip screwdriver

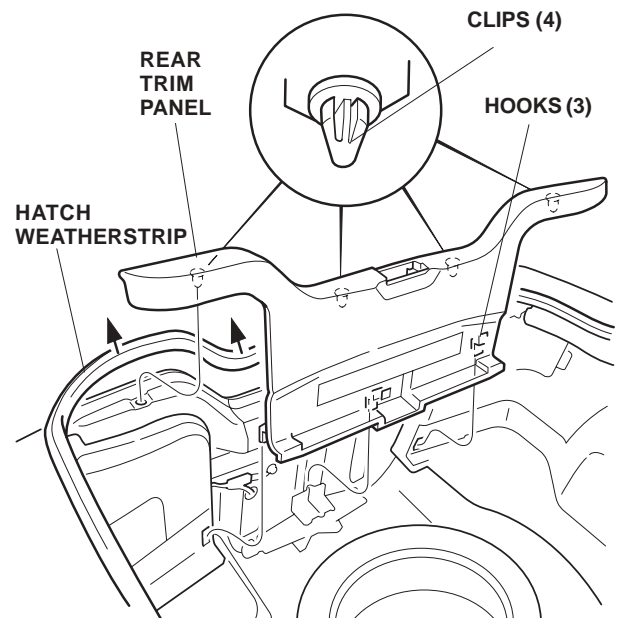
INSTALLATION

NOTE: A luggage net cannot be installed if the vehicle is equipped with a trunk-mounted CD changer.

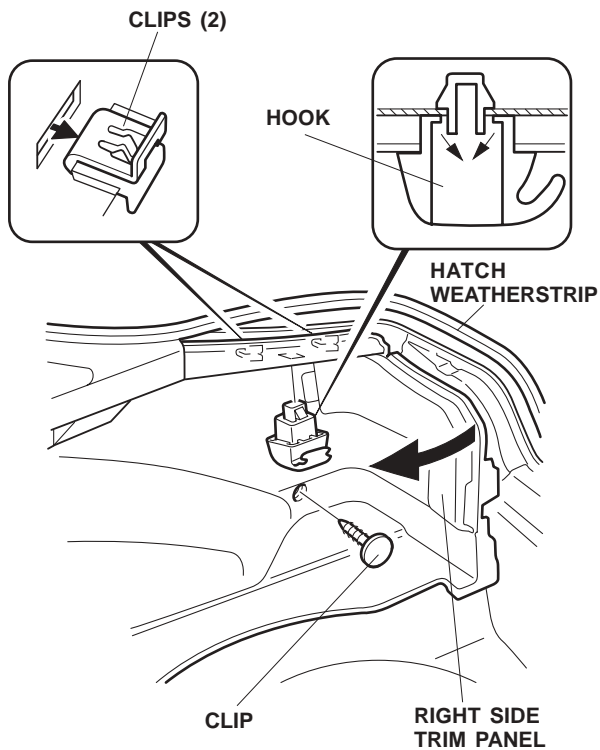
1. Open the hatch, and flip the cargo floor mat forward. Remove the cargo area floor.



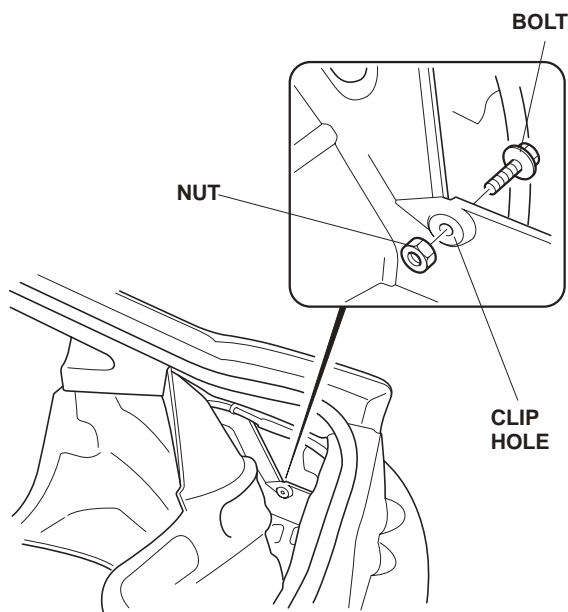
2. Remove the hatch weatherstrip in the area shown, then remove the four clips (two on each side) and three hooks that secure the rear trim panel liner. Remove the panel.



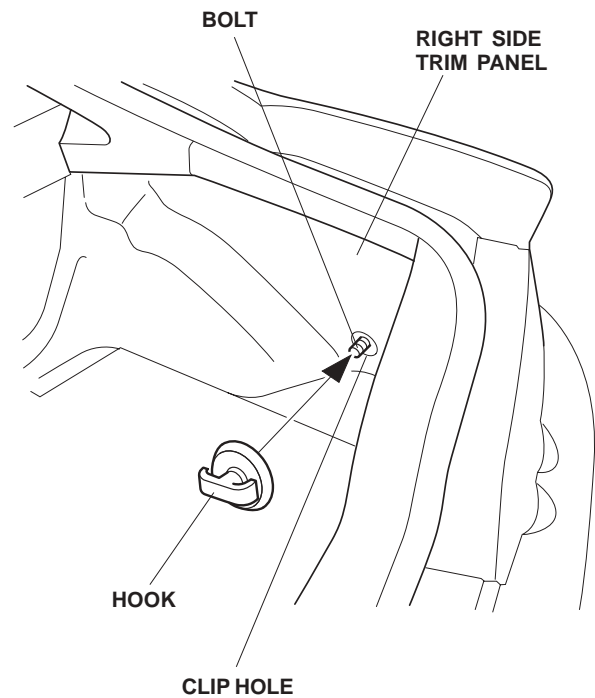
- Remove the hatch weatherstrip in the area shown, then remove the three clips and one hook that secure the right side trim panel. Gently fold the panel out of the way.



- Insert one bolt from the kit into the clip hole indicated, then install a nut on the end of the bolt. Tighten the nut securely.



- Reinstall the right side trim panel, then thread the hook from the kit onto the bolt you just installed.



- Move the left side trim panel out of the way, and repeat steps 4 and 5 to install a hook on the left side of the vehicle.
- Reinstall all removed parts. Check that the clips are installed securely without lifting.
- Attach the lower loops of the luggage net to the hooks you installed, then attach the upper loops of the luggage net to the vehicle hooks.

