

**INSTALLATION
INSTRUCTIONS**

Accessory

**SPLASH GUARDS
P/N 08P00-S6M-200**

Application

2004 RSX

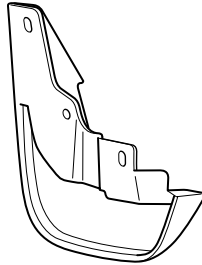
Publications No.

BII 26211

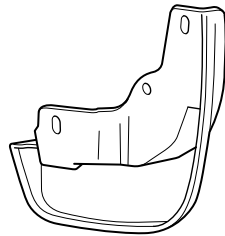
Issue Date

SEP 2003**PARTS LIST**

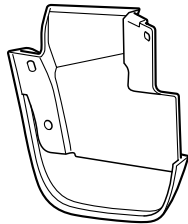
Right front splash guard



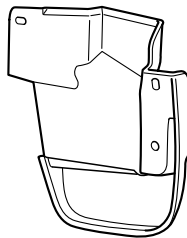
Left front splash guard



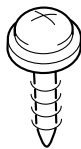
Right rear splash guard



Left rear splash guard



6 Self-tapping screws



4 Spring nuts

**TOOLS REQUIRED**

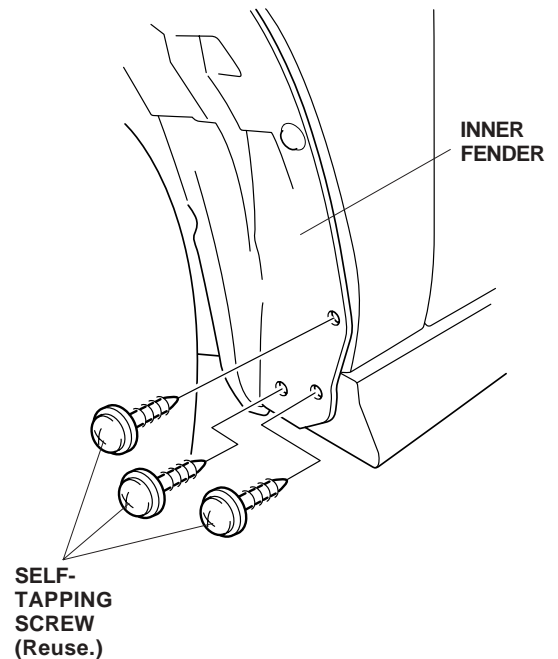
Stubby Phillips screwdriver

INSTALLATION**NOTE:**

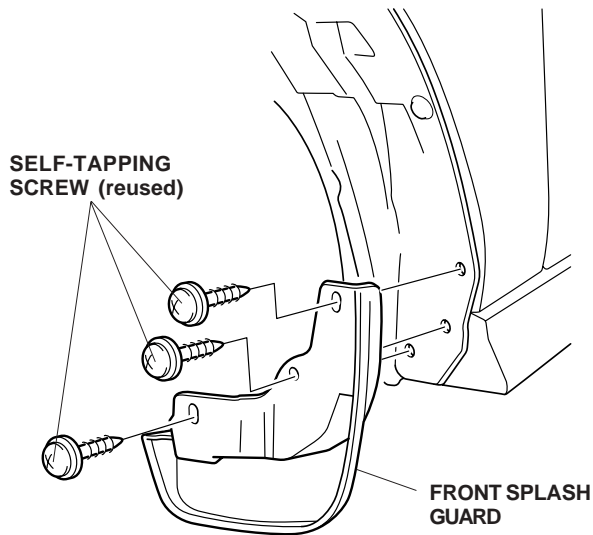
- These instructions are for the left side of the vehicle. The same procedure applies to the right side of the vehicle.
- Clean the area to be covered, and wax it with a high-quality paste wax.

Installing the Front Splash Guards

1. Turn the steering wheel all the way counterclockwise.
2. Remove the three self-tapping screws that fasten the inner fender.



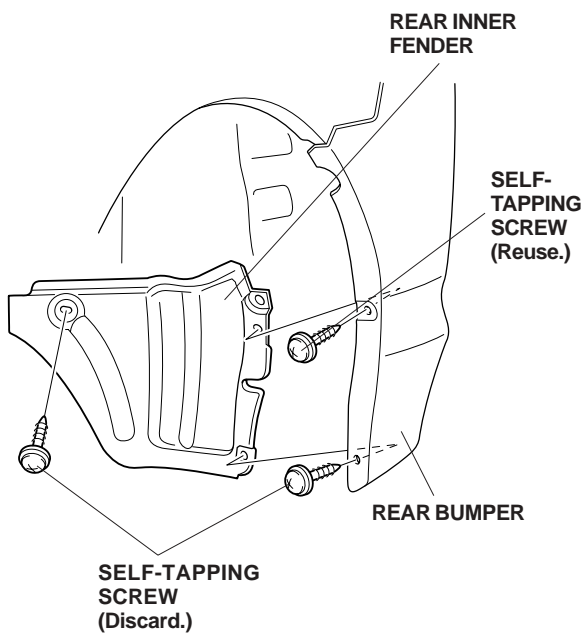
- Position the front splash guard on the inner fender, and reinstall the three self-tapping screws.



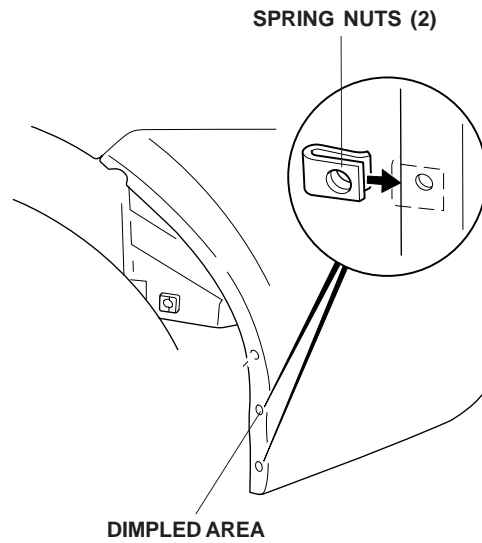
- Turn the steering all the way clockwise and repeat steps 2 and 3 to install the right front splash guard.

Installing the Rear Splash Guards

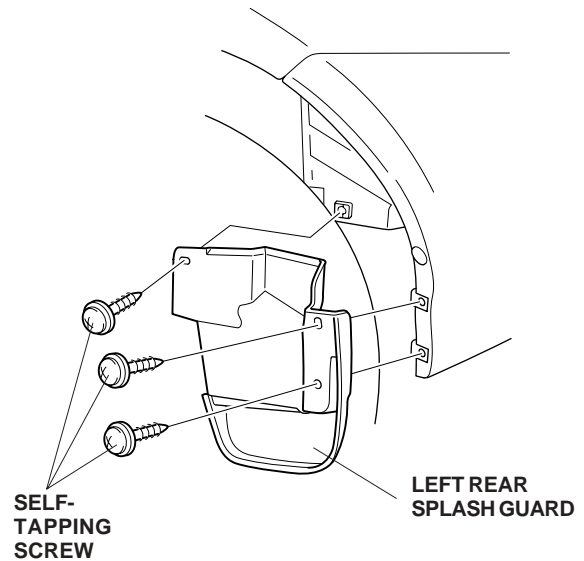
- Remove the self-tapping screw from the rear inner fender, and two self-tapping screws from the rear bumper, then remove the cover.



- Slide spring nuts over the dimpled area and the lower hole of the rear bumper.



- Position the rear splash guard on the rear bumper and fenderwell, and install three self-tapping screws.



- Repeat steps 5 through 7 to install the right rear splash guard.