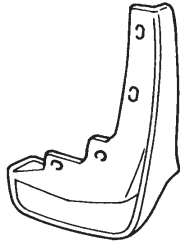


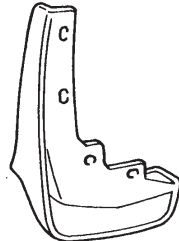
<h1>INSTALLATION INSTRUCTIONS</h1>	Accessory <b>SPLASH GUARDS</b> P/N 08P00-S0K-200	Application <b>2003 3.2TL</b>	Publications No. <b>BII 23720</b>
			Issue Date <b>MAR 2002</b>

**PARTS LIST**

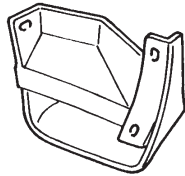
Left front splash guard



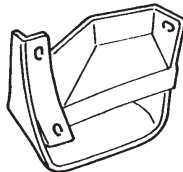
Right front splash guard



Left rear splash guard



Right rear splash guard



14 Self-tapping screws



4 Clip nuts



2 Screw grommets



**TOOLS REQUIRED**

Stubby Phillips screwdriver

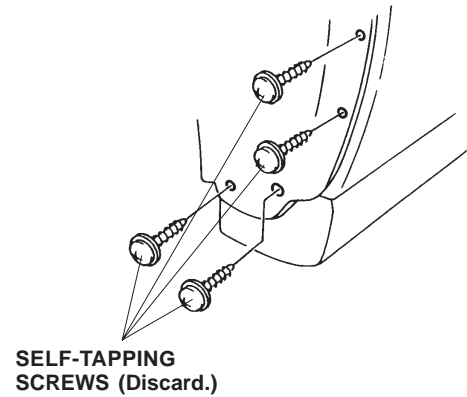
Offset Phillips screwdriver

**INSTALLATION**

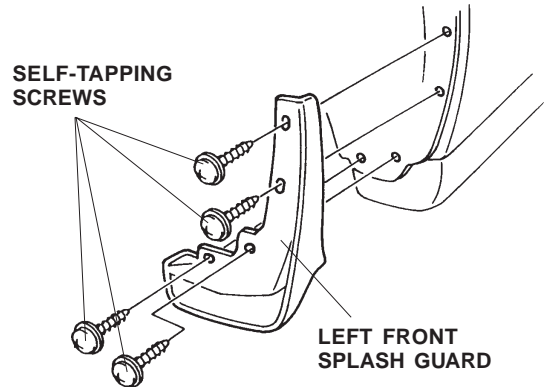
NOTE: These installation instructions show the left splash guards being installed. The same procedure applies to installing the right splash guards.

**Installing the Front Splash Guards**

1. Clean and wax the areas to be covered with a high-quality paste wax.
2. Turn the steering wheel all the way counterclockwise to provide access to the left front fenderwell.
3. Remove the four self-tapping screws that secure the inner fender to the left front fenderwell.



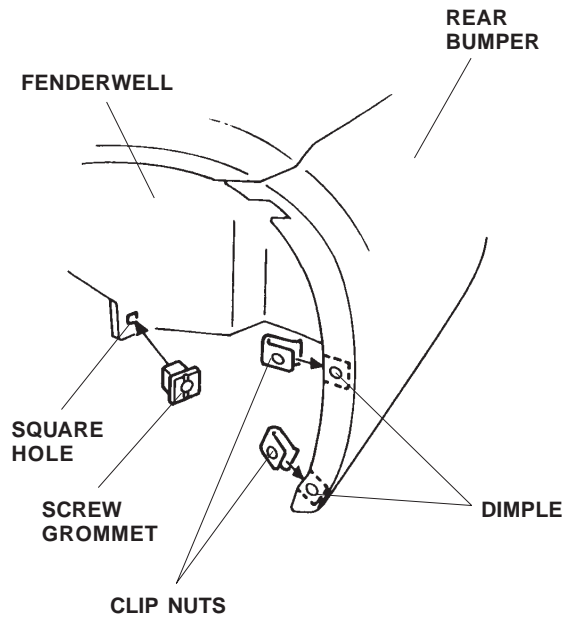
4. Position the left front splash guard on the fenderwell, and install the four self-tapping screws. Tighten the screws securely.



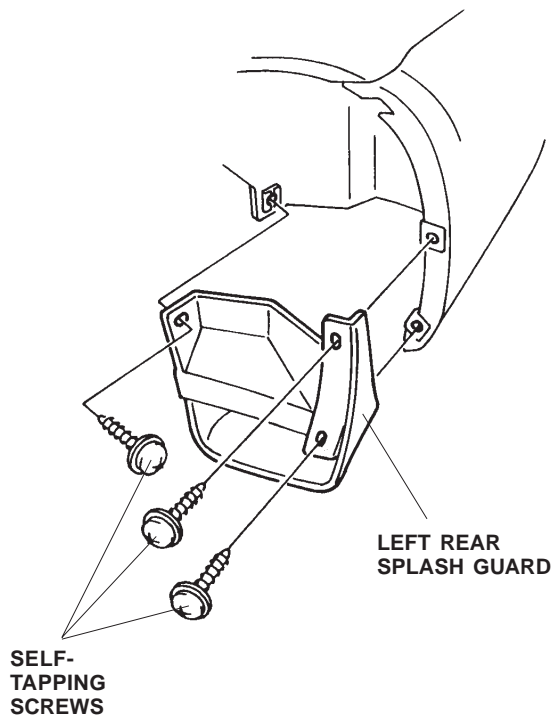
5. Turn the steering wheel all the way clockwise, and repeat steps 2 through 4 to install the right front splash guard.

## Installing the Rear Splash Guards

- Slide two clip nuts over the dimpled areas of the rear bumper. Press a screw grommet into the hole in the fenderwell.



- Position the left rear splash guard on the fender and bumper, and install three of the self-tapping screws provided. Tighten the screws securely.



- Repeat steps 6 and 7 to install the right rear splash guard.