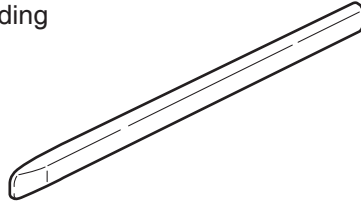
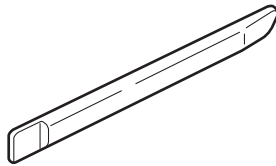


PARTS LIST

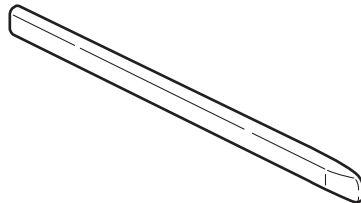
Left front body side molding



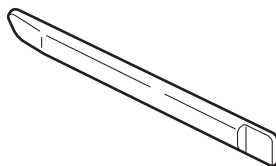
Left rear body side molding



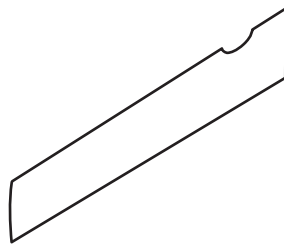
Right front body side molding



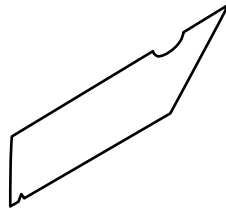
Right rear body side molding



Front template



Rear template



TOOLS AND SUPPLIES REQUIRED

Isopropyl alcohol
Shop towel
Felt-tip pen
Masking tape
Tape measure

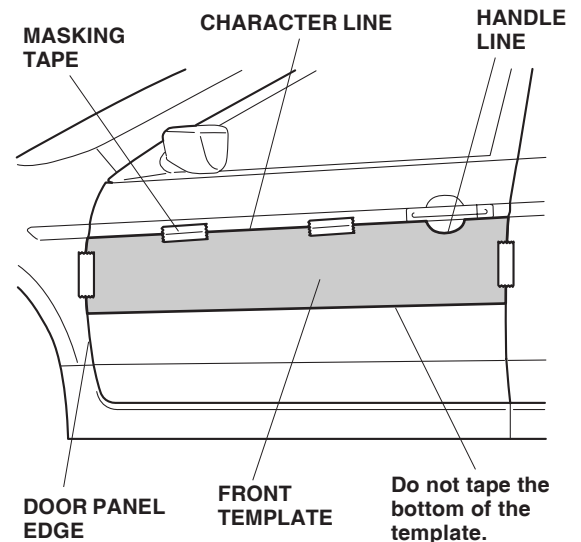
INSTALLATION

NOTE:

- Be careful not to damage the body paint finish.
- The body side molding kit should be installed only if the ambient air temperature is 60°F (15°C) or above.
- To allow the adhesive to cure, do not wash the car for 24 hours.
- These instructions show the left body side molding being installed. The same procedure applies to installing the right body side molding.
- If you're also installing door edge guards (sold separately), install them before you install the body side moldings.

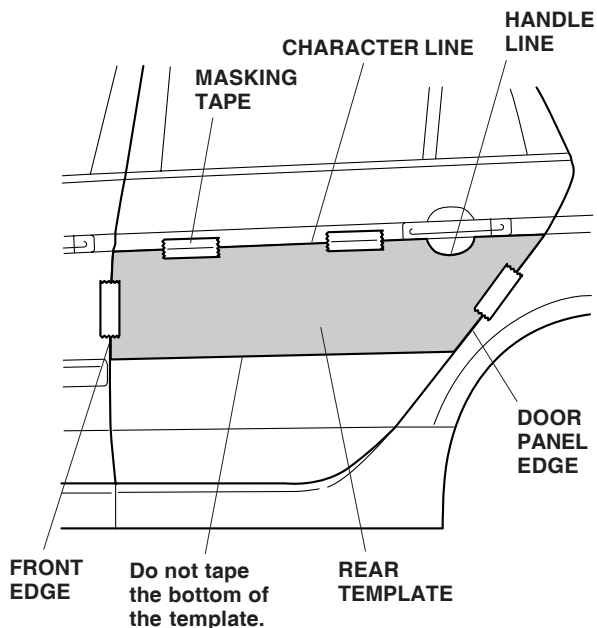
Attaching the Template

1. Position the front template on the left front door; align the front template upper edge with the door panel character line and the door handle line. Align the front edge of the front template with the door panel edge.



2. Tape the top and sides of the front template to the front door.

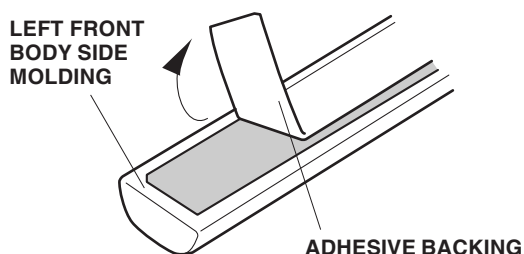
- Position the rear template on the left rear door; align the rear template upper edge with the door panel character line and the door handle line. Align the front edge of the template with the front edge of the rear door panel edge.



- Tape the top and sides of the rear template to the rear door.

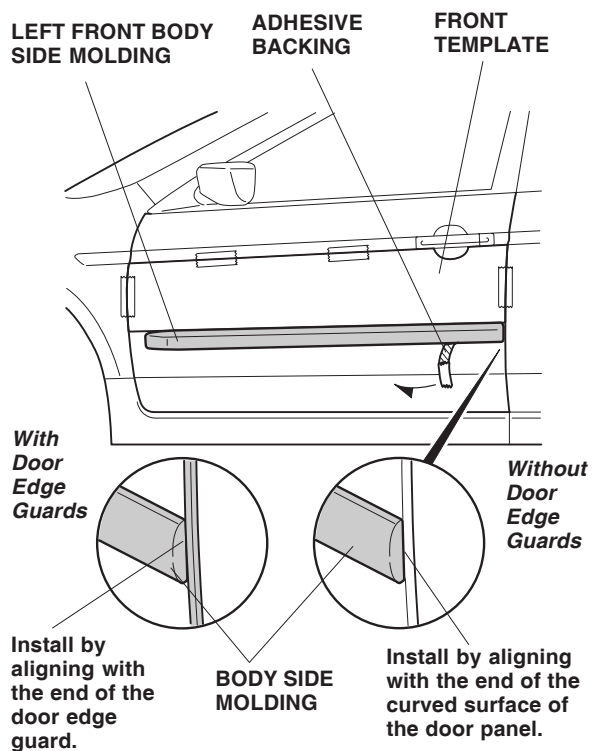
Installing the Front Body Side Molding

- Using isopropyl alcohol on a shop towel, thoroughly clean the area where the left front body side molding will attach.
- Remove 40 to 50 mm (1.5 to 2 in.) of adhesive backing from rear end of the left front body side molding, and fold it down diagonally toward the outside.



- Position the left front door body side molding on the front door panel, and align the upper edge of the molding with the lower edge of the front template. Further adjust the location of the molding so that the rear edge of the molding align with the end of the curved surface of door panel.

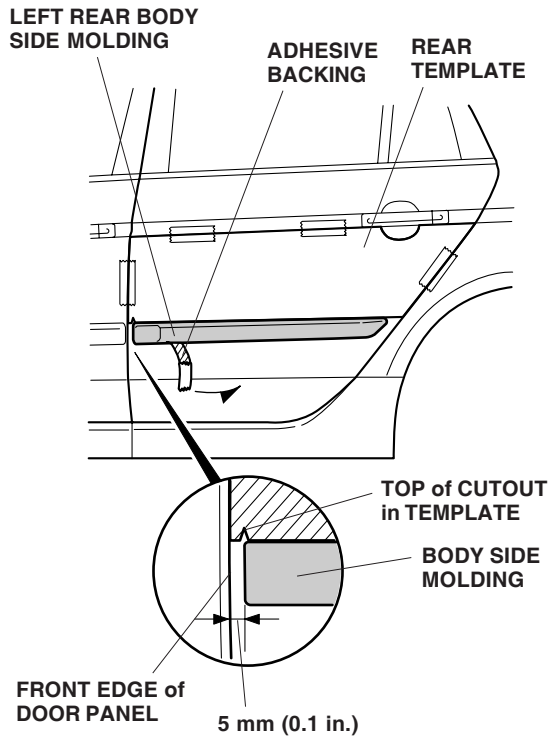
NOTE: If door edge guards are installed, match the rear edge of the left front body side molding with the door edge guard.



- Attach the rear edge of the molding to the edge of the door. While holding the molding in place carefully pull out about 150 mm (6 in.) of tape from under each side; then press the molding into place. Repeat as necessary, 150 mm (6 in.) at a time, until the entire length of molding is attached. Do not "stretch" the molding by stroking or smoothing it into place; instead roll or "walk" your hand or fingers against it from back to front.

Installing the Rear Body Side Molding

- Using isopropyl alcohol on a shop towel, thoroughly clean the area where the left rear body side molding will attach.
- Remove 40 to 50 mm (1.5 to 2 in.) of adhesive backing of the left rear body side molding.



- Position the left rear body side molding on the rear door panel, and align the upper edge of the molding with the lower edge of the rear template. With the front edge of the body side molding aligned with the top of the cutout in the template, check that the clearance between the front edge of the rear door and front edge of the body side molding is 5 mm (0.1 in.).
- Attach the front edge of the molding to the edge of the door. Continue holding the molding in alignment, and carefully pull out about 150 mm (6 in.) of tape from under each side; then press the molding into place. Repeat as necessary, 150 mm (6 in.) at a time, until the entire length of molding is attached. Do not "stretch" the molding by stroking or smoothing it into place; instead roll or "walk" your hand or fingers against it from front to back.

- Remove the template.
- With a hard rubber roller, apply about 15 kg (30 lbs) of pressure along the top edge of each molding, from the one end to the other. Repeat along the bottom edge of each molding.
- Position the template on the right (passenger's) door, and repeat steps 2 through 14 to install the door moldings on the right side of the vehicle.

NOTE: After the body side molding is installed, tell your customer not to wash the vehicle for 24 hours to give the adhesive time to cure.