

ACURA INSTALLATION INSTRUCTIONS

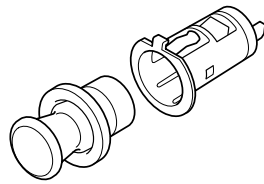
Accessory
CIGARETTE LIGHTER
P/N 08U96-SEP-200

Application
2004 TL

Publications No.
BII 25333
Issue Date
OCT 2003

PARTS LIST

Cigarette lighter



Lighter ring



Fuse label (not used)



TOOLS AND SUPPLIES REQUIRED

Phillips screwdriver

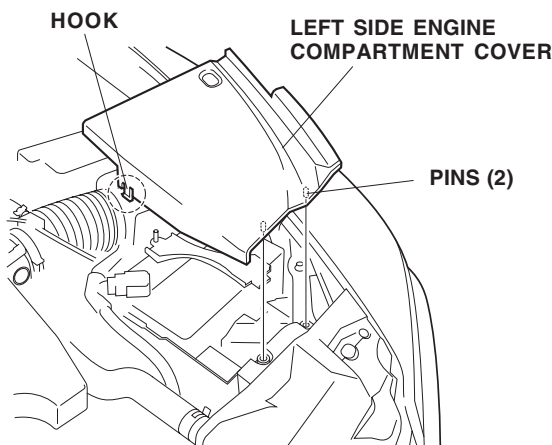
Ratchet

10 mm Socket

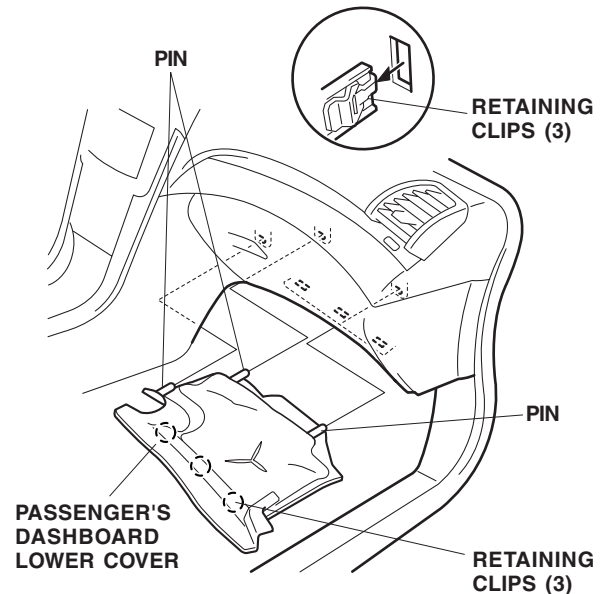
INSTALLATION

Customer Information: The information in this installation instruction is intended for use only by skilled technicians who have the proper tools, equipment, and training to correctly and safely add equipment to your vehicle. These procedures should not be attempted by "do-it-yourselfers."

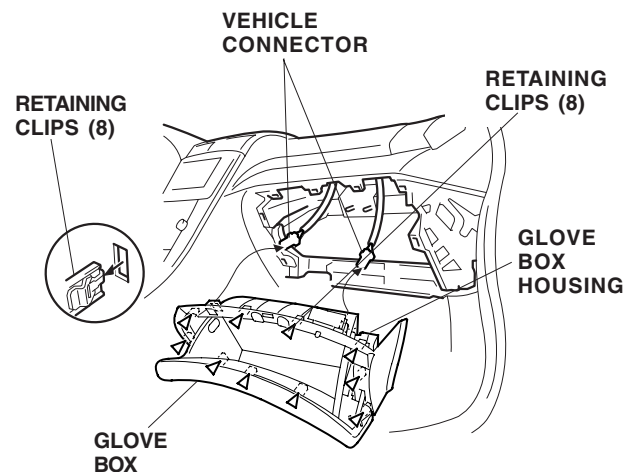
1. Make sure you have the anti-theft code(s) for the radio and navigation system (if equipped), then write down the XM radio channel presets.
2. Remove the left side engine compartment cover. Make sure the ignition switch is off, then disconnect the negative cable from the battery.



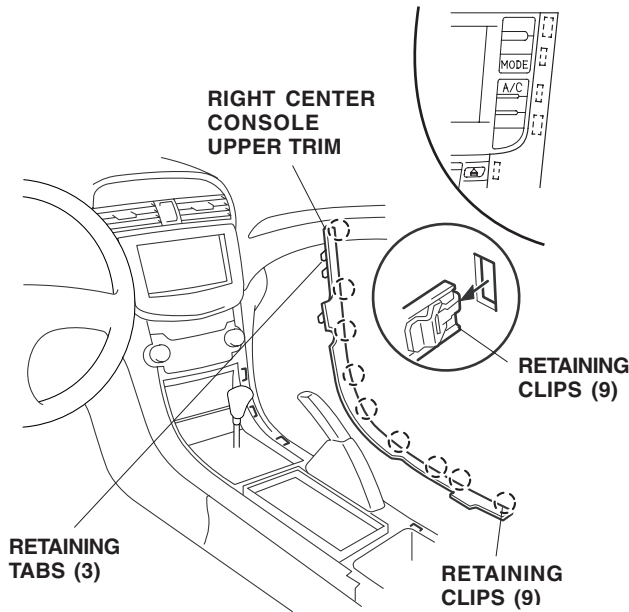
3. Remove the passenger's dashboard under cover (three retaining clips and three pins)



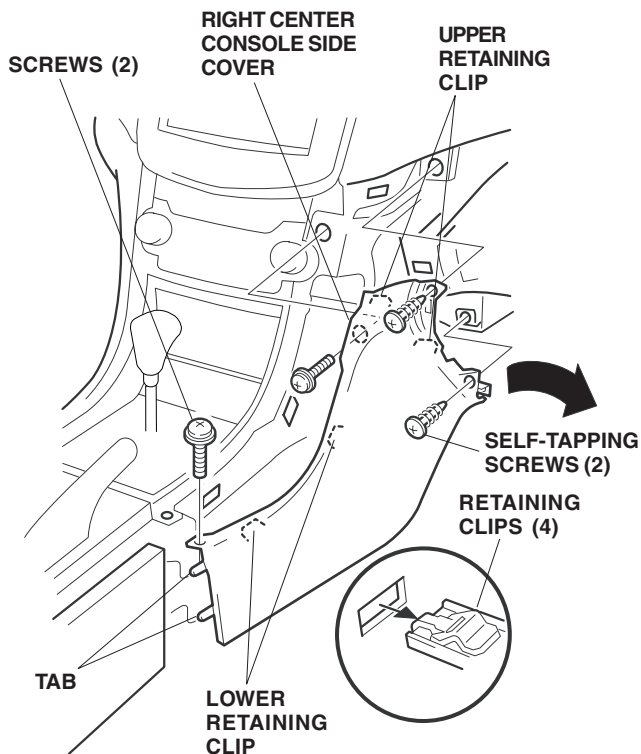
4. Remove the glove box housing.
 - Open the glove box.
 - Gently pull out to release the ten retaining clips. Unplug the two vehicle connectors, and remove the glove box housing.



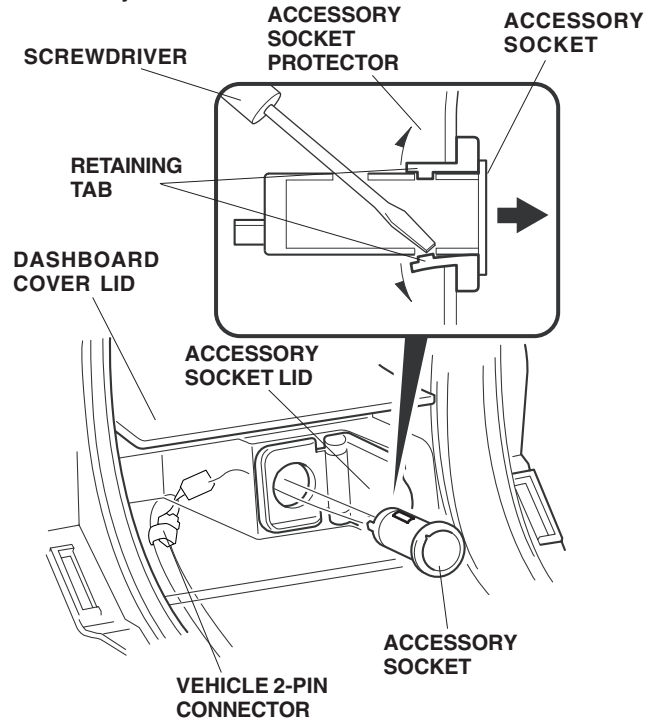
- Open the center console lid. Gently pull up the right center console upper trim to release the nine retaining clips and three tabs. Remove the right center console upper trim.
NOTE: Be very careful when removing the trim. Improper removal may damage the trim.



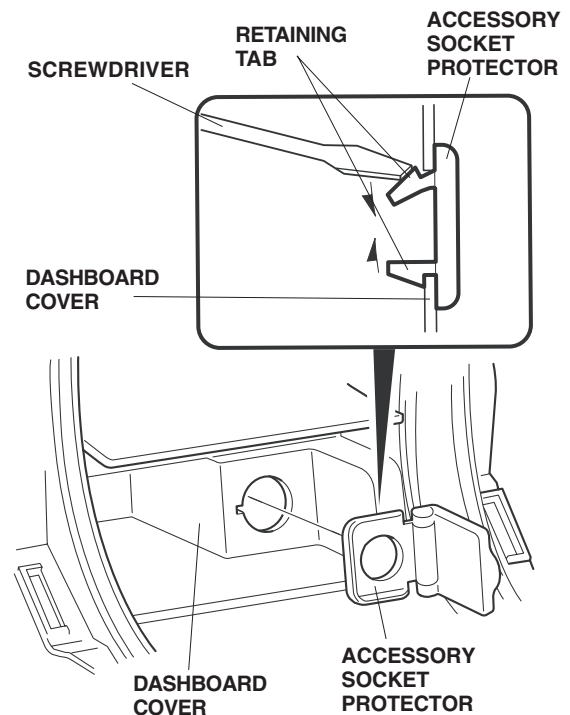
- Remove the two self-tapping screws and two screws. Gently pull out the right center console side cover to release the two lower clips, then release the remaining two upper retaining clips. Remove the two tabs by sliding the cover forward; remove the right center console side cover.



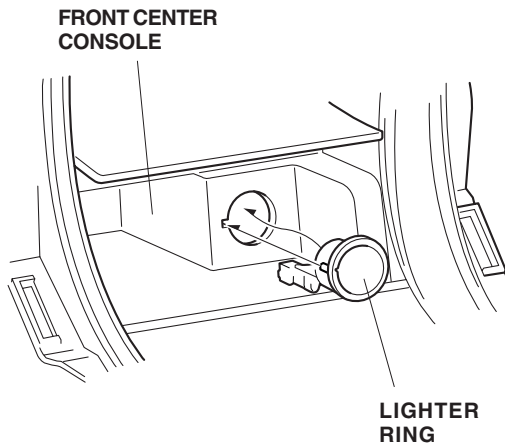
- Disconnect the vehicle 2-pin connector from the accessory socket.



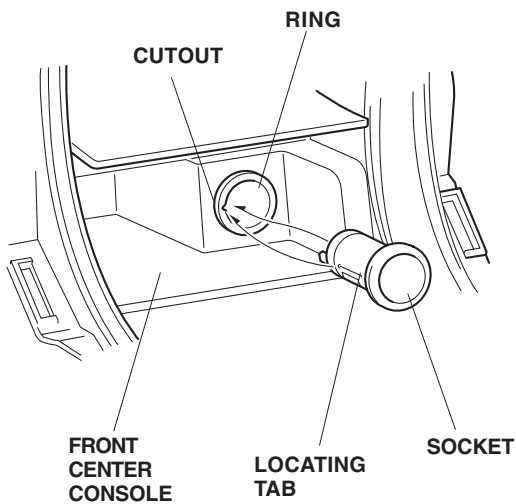
- Open the dashboard cover lid, and open the accessory socket protector lid. Remove the accessory socket from the accessory socket protector by releasing the two retaining tabs using a screwdriver from the back through the slot in the accessory socket.
- Remove the accessory socket protector from the dashboard cover by releasing the two retaining tabs using a screwdriver from the back.



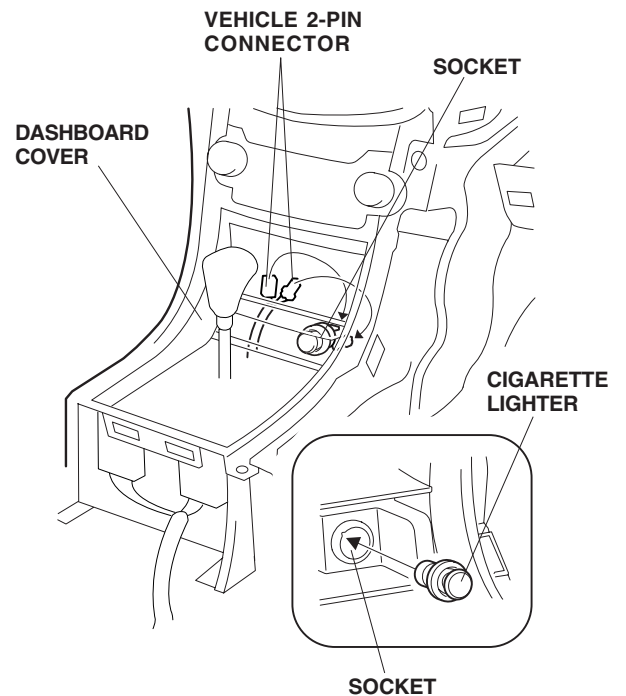
- Slide the lighter ring into the hole in the front center console in the direction shown.



- Align the locating tab of the socket with the cutout in the ring, and slide the socket of the cigarette lighter into the lighter ring.



- Behind the dashboard cover, locate the 2-pin blue connector taped to the vehicle harness, and remove the tape to free the connector. Connect the 2-pin connector into the socket.



- Push the cigarette lighter into the socket.
- Reinstall all removed parts. Make sure that all retaining clips and tabs are securely fastened.
- Check that all wire harnesses are routed properly and all connectors are plugged in.
- Reconnect the negative cable to the battery.
- Enter the radio and navigation system (if equipped) anti-theft code(s), and set the XM radio channel presets.
- Set the clock (without navigation).